

Jumper Settings (Impedance Chart)

The total number of speakers is listed for both Left and Right Channels (Pairs)

Jumper Settings for 8Ω (Per Channel)

Impedance at Amplifier

Speaker Ohms	X1	X2	X4	X8
8	1 Pair	2 Pairs	3-4 Pairs	5-8 Pairs
4	-	1 Pair	2 Pairs	3-4 Pairs

Jumper Settings for 4Ω (Per Channel)

Impedance at Amplifier

Speaker Ohms	X1	X2	X4	X8
8	2 Pairs	3-4 Pairs	5-8 Pairs	9-16 Pairs
4	1 Pair	2 Pairs	3-4 Pairs	5-8 Pairs

We strongly advise to contact a professional installer or dealer in order to install TAGA Harmony products.

We recommend using high quality TAGA Harmony speaker cables and other installation accessories.

TAGA[®]

HARMONY

To Achieve Glorious Acoustics

TVR Series

VOLUME REGULATORS



Instruction Manual

	Your product is marked with the symbol as showed on the left. For EU (European Union) member users: This product has been tested and found in compliance with requirements of the European Community 2004/108/EC directive.
--	---

	IMPORTANT ! Your product is marked with the symbol as showed on the left . For EU (European Union) member users : According to the WEEE(Waste electrical and electronic equipment) Directive, do not dispose of this product as household waste or commercial waste . Waste electrical and electronic equipment should be appropriately collected and recycled as required by practices established for your country. For information on recycling of this product, please contact you local authorities, your household waste disposal service or the shop where you purchased the product .
--	---

EU DISTRIBUTOR / IMPORTER:
POLPAK POLAND Sp. z o.o.
AL.JEROZOLIMSKIE 333A
05-816 REGULY k/WARSZAWY, POLAND
Email: sales@taga-audio.com

WORLDWIDE & CHINA DISTRIBUTOR:
TAGA Audio Technology Company LTD.
3F, Building C4, Shizhou Street Section, Baichen Road,
Shunde District, Foshan City, Guangdong Province,
China, 528313
Email: sales@taga-audio.com.cn

www.taga-audio.com

Introduction

Thank you for purchasing TAGA Harmony Volume Regulator. TAGA Harmony Speaker Regulator is a device which is an efficient, cost-effective way of controlling audio volume in a sound zone (room). It can be even used as a very easy method to build a simple multi-room sound system.

This instruction manual provides all of the information that you need to know about your TAGA Harmony product. Please read it carefully before you start using the unit.

Logo Sticker

A sticker with TAGA Harmony logo is supplied with this product. It is recommended to mount it after the product is properly installed. Refer to "In-Wall Installation and Operation" for further details.

Cleaning

Do not use strong or abrasive cleaners. Use a damp, soft cloth for cleaning. Do not get any part of the device wet.

Specifications

Full technical specifications are available on the www.taga-audio.com website.

Features

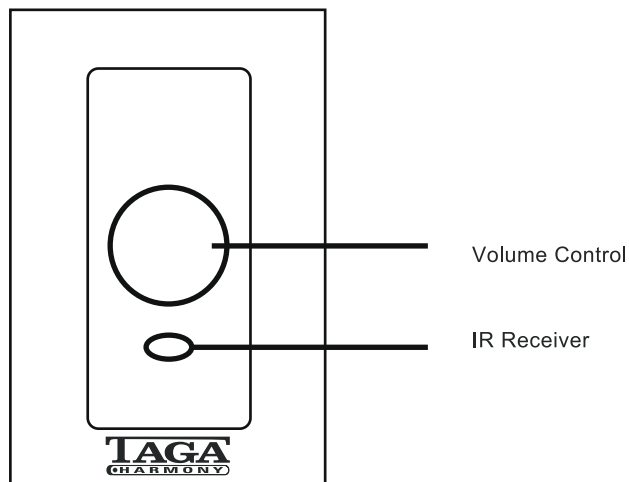
1. The impedance matching : operation with a combination of speakers with different nominal impedance (4,8 and 16 Ohm).
2. Easy and quick adjustment of working impedance via jumper settings.
3. 12-step volume regulation both for rotary and slider type volume regulators.
4. Full range frequency response: 20Hz to 20kHz(+0/-2db) at rated power.
5. Removable pin cable wire terminal connectors, accepting up to 14 AWG speaker cables.
6. Independent grounding for use with any amplifier.
7. Fits most plastic electrical junction boxes.
8. Decora® style faceplate included.

Additional Features for TVR-10IR only

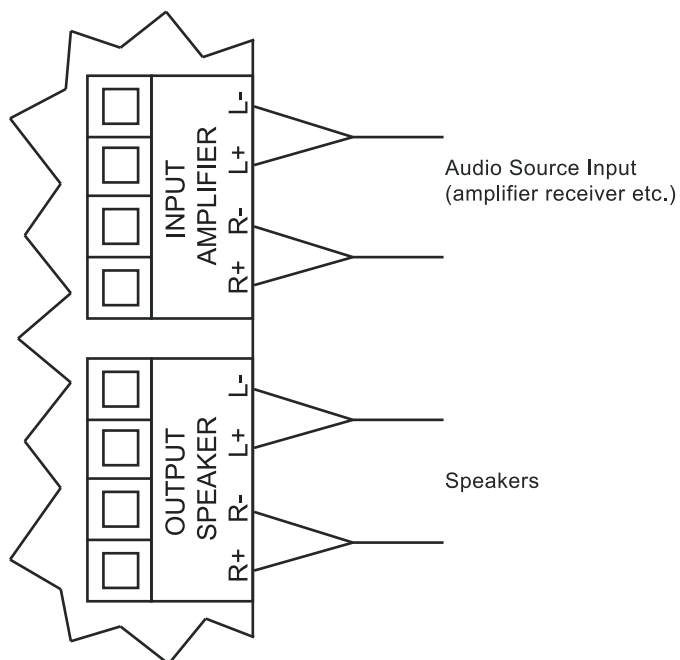
Built-in IR Receiver to provide total access to the audio control system. The IR Receiver picks up a command signal from a handheld remote control unit and sends it to the IR Hub (not included with the TVR-10IR), which is attached to the audio equipment.

Note! The built-in IR Receiver controls only the IR system components in the Infrared system; it does not control the volume of the TVR-10IR itself.

Front and Rear Panel



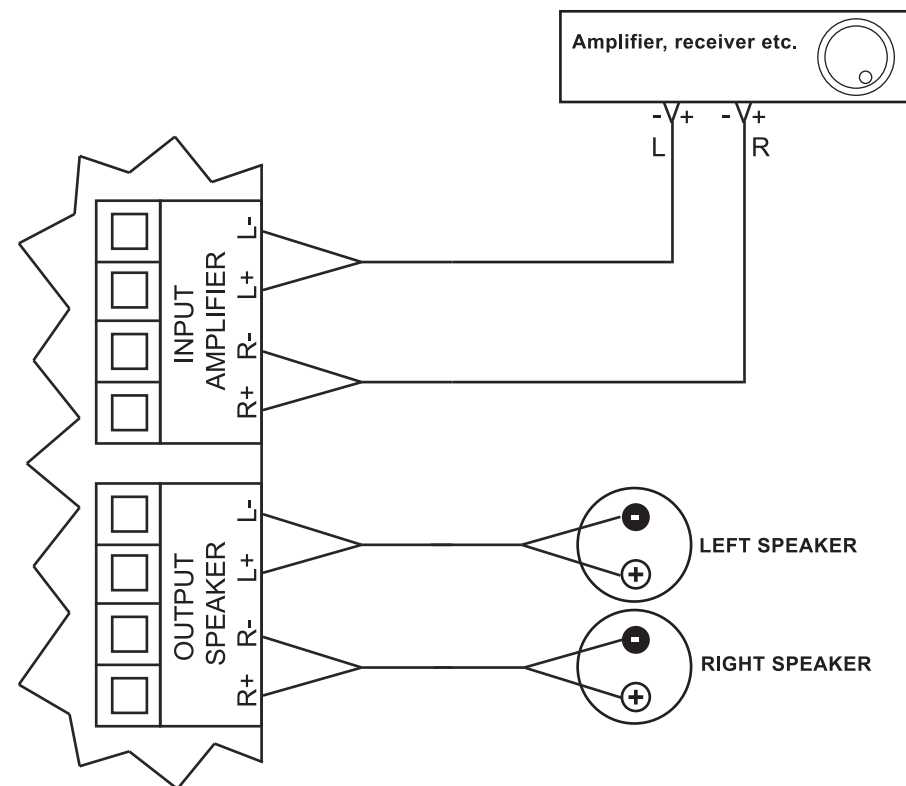
(TVR-10IR model shown)



Hooking Up Speaker Cables to Terminals

The terminals can accommodate up to 14 AWG speaker cables. 14 AWG speaker cable is recommended for longer connections (greater than 20 meters / 66 feet). For shorter lengths you can use 16 or 18 AWG speaker cables. It is recommended to leave about 150 cm (5 feet) of extra cable at the regulator end to facilitate positioning and installation of the regulator. Do not use staples, nails or other metal objects to secure the speaker cables. You will get the best sound quality and least amount of hum by keeping the speaker cables away from other electrical wires and cables.

Pay attention to connecting the polarity of the volume regulator correctly with the amplifier and speakers terminals (RED + with RED +, BLACK - with BLACK -). Before connecting make sure that your amplifier is switched off. Please refer to your amplifier and speakers' instruction manual for more information.

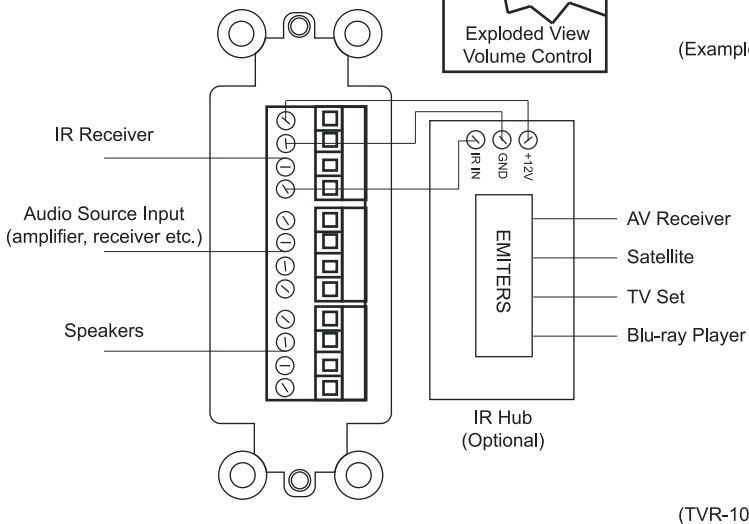
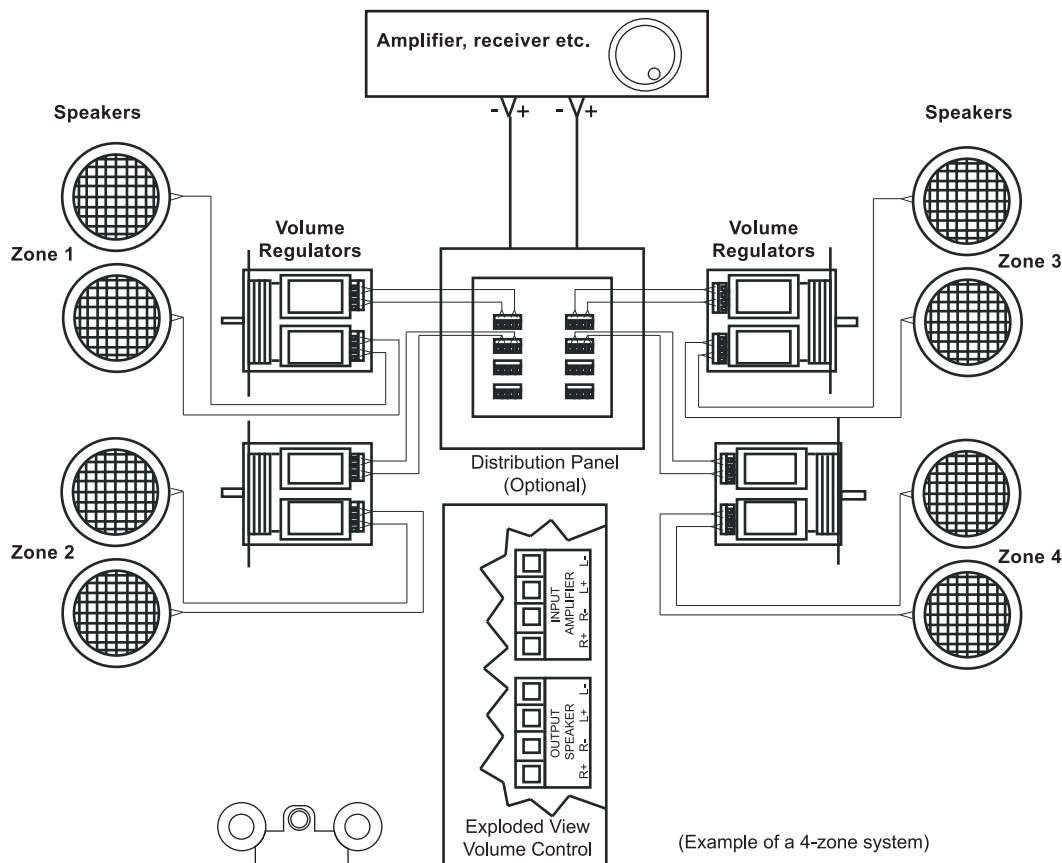


Additional Considerations for TVR-10IR only

Avoiding Obstacles

The most important consideration will be to provide a direct, unobstructed, line of sight path between the handheld remote control unit in the listening area and the IR lens on the TVR-10IR.

Connecting Audio Source and Speakers



In-wall Installation and Operation

1. Make sure your audio source (amplifier, receiver etc.) is switched off.
2. Make sure that the volume regulator on your audio source is set on minimum.
3. Switch Volume Control of the Volume Regulator to minimum (rotary knob - max counter-clockwise, slider knob – max downward position).
4. Install a plastic electrical junction box (not supplied with this product) into the wall. Make sure that the box is big enough to accommodate the Volume Regulator. Push gently the speaker and IR (TVR-10IR only) cables into the box.
5. Using speaker cables (not supplied with this product) connect your audio source to INPUT AMPLIFIER terminals located on the rear of the Volume Regulator.
6. Using speaker cables (not supplied with this product) connect your speakers to required OUTPUT SPEAKER terminals located on the rear of the Volume Regulator.
7. Set the Volume Regulator to the proper impedance using the chart in the chapter “Connecting Audio Source and Speakers”
8. **TVR-10IR only:** Connect TVR-10IR IR terminals with IR Hub (not supplied with this product). Make sure to keep proper connection: Connect TVR-10IR IR OUT with IR Hub IR IN, GND with GND and +12V with +12V. Follow the user manual of IR Hub and install and plug the IR Emitters (not supplied with this product) into the IR Hub, then configure necessary IR Hub settings and turn on the IR Hub.
9. Screw-in the Volume Regulator to the box and install the trim plate.
10. Stick the supplied logo sticker on the front panel of the Volume Regulator. We recommend to stick the logo on the top or bottom part of the panel to cover one of the mounting screws.
11. Switch on your audio source and start playback on a connected device.
12. Regulate volume on your audio source and the Volume Regulator to adjust level of sound.

Note! High volume levels can damage your amplifier(receiver), this products or speakers. This may void your warranty.

Note! Avoid to short-circuit of cables – it can damage your amplifier(receiver), this products or speakers. This may void your warranty.

Multi-Room System TVR-10IR Only

The TVR-10IR can function in a multi-room system with other TAGA Harmony IR receivers in various rooms. This can control various components in the main room or equipment area. For more information please contact your local TAGA Harmony dealer or installer.