

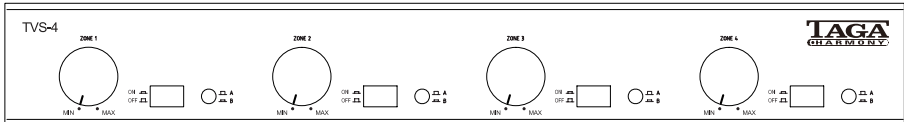
TAGA[®]

HARMONY

To Achieve Glorious Acoustics

TVS Series

2-SOURCE SPEAKER
SELECTORS WITH VOLUME CONTROL



Instruction Manual

Introduction

Thank you for purchasing TAGA Harmony Speaker Selector.

This device is a 2-source, multizone speaker selector with a separate volume regulation for each zone (room) / speaker pair (1 pair per zone).

TAGA Harmony speaker selector is a device which is an efficient, cost-effective way of expanding an audio system at home or commercial venues (bars, cafes, restaurants, shops, conference rooms etc.) into a complex multi-room sound system.

The speaker selector distributes audio signals from an audio source (amplifier, receiver etc.) to speakers located in different zones.

This instruction manual provides all of the information that you need to know about your TAGA Harmony product.

Please read it carefully before you start using the unit.

Zones

A number in a model name indicates a maximum number of zones which this product can operate with.

Cleaning

Do not use strong or abrasive cleaners. Use a dry, soft cloth for cleaning. Do not get any part of the device wet.

Specifications

Full technical specifications are available on the www.Tagaharmony.com website.

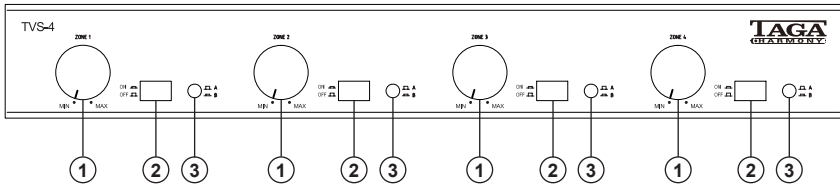
Contents

Safety Instructions	3
Front and rear panel	4
Setting the number of speakers	5
Hooking Up Speaker Cables to Terminals	8
Connecting Audio Sources and Speakers	9
Operation	10

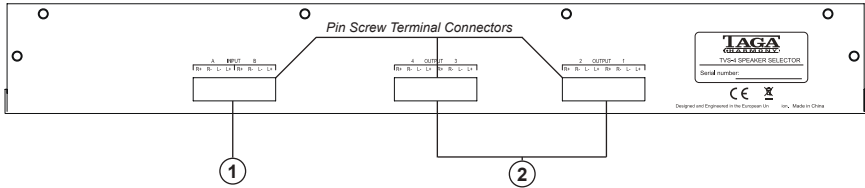
Safety Instructions

- 1. Read Instructions** – All the safety and operating instructions should be read before the product is operated.
- 2. Retain Instructions** – The safety and operating instructions should be retained for future reference.
- 3. Heed Warnings** – All warnings on the product and in the operating instructions should be adhered to.
- 4. Follow Instructions** – All operating and use instructions should be followed.
- 5. Cleaning** - Unplug this product from the wall outlet before cleaning. Do not use liquid cleaners or aerosol cleaners. Use a damp, soft cloth for cleaning.
- 6. Water and Moisture** - Do not use this product near water - for example, near a bath tub, wash bowl, kitchen sink or laundry tub; in a wet basement; or near a swimming pool; and the like.
- 7. Accessories** - Do not place this product on an unstable cart, stand, tripod, bracket or table. The product may fall, causing serious injury to a child or adult, and serious damage to the product. Use only with a cart, stand, tripod, bracket or table recommended by the manufacture, or sold with the product. Any mounting of the product should follow manufacture's instructions and should use a mounting accessory recommended by the manufacture.
- 8. Ventilation** - Slots and openings in the cabinet (if present) are provided for ventilation and to ensure reliable operation of the product and to protect it from overheating, and these openings must not be blocked or covered. The openings should never be blocked by placing the product on a bed, sofa, rug, or other similar surface. This product should not be placed in a built-in installation such as a bookcase or rack unless proper ventilation is provided or the manufacture's instructions have been adhered to.
- 9. Object and Liquid Entry** - Never push objects of any kind into this product through openings as they may touch dangerous voltage points or short-out parts that could result in a fire or electric shock. Do not expose this apparatus to dripping or splashing, and ensure that no objects filled with water, such as vases, are placed on the apparatus.
- 10. Servicing** - Do not attempt to service this product yourself as opening or removing covers may expose you to dangerous voltage or other hazards. Refer all servicing to qualified service personnel.
- 11. Replacement Parts** - When replacement parts are required, be sure the technician has used replacement parts specified by the manufacturer or have the same characteristics as the original part. Unauthorized substitutions may result in fire, electric shock, or other hazards.
- 12. Safety Check** - Upon completion of any service or repairs to this product, ask the service technician to perform safety checks to determine that the product is in proper operating condition.
- 13. Wall or Ceiling Mounting** - The product should be mounted to a wall or ceiling only as recommended by the manufacturer.
- 14. Heat** - The product should be situated away from heat sources such as radiators, heat registers, stoves, or other products (including amplifiers) that produce heat.

Front and rear panel



1. Volume regulators
2. Zone selectors
3. Source amplifier selectors



1. Inputs for Amplifier (Receiver) A and B
2. Speaker Output to Zones

(TVS-4 model shown)

Setting the number of speakers

The Speaker Selector works with all speakers rated from 4 to 8 Ω and audio sources (amplifiers, receivers etc.) rated for 4 and 8 Ω loads. The Speaker Selector is shipped with the factory setting allowing to connect 1 pair of speakers to each zone. If you plan to use more speakers than 1 pair per zone then you have to change the setting of jumper shunts which are located on the main board of the Speaker Selector.

Note! Before proceeding with setting the impedance make sure to disconnect all devices (amplifiers, speakers) which are connected to the Speaker Selector. Otherwise you can damage connected devices or this product. This may void your warranty.

1. Determine the number of speaker pairs you want to connect to each zone. Note that maximum 8 pairs (16 pieces) of speakers can be connected to each zone.
2. Unscrew screws which secure the top cover of the Speaker Selector. Remove the cover.
3. There are two 6-pin jumper blocks for each zone which are positioned behind each pair of autotransformer. When looking from the front of the Speaker Selector: 2 jumper blocks on the left side correspond to Zone 1 (Output 1) – the left jumper block is for the left channel of Zone 1 and the right one is for right channel of Zone 1. Going to the right each following jumper block pair corresponds to the next Zone (2,3 etc.) (see Figure 1).
4. Each jumper block has 4 sections labeled X1, X2, X4 and X8. The factory setting is X1 (a jumper shunt is placed on pins 1 and 2) – the system is set for connecting 1 pair of speakers to each zone (see Figure 2).
5. Changing jumper shunt setting:
 - a) Use the appropriate row and column to determine jumper shunt setting according to the number of speaker pairs connected (see the chart below).

Number of speaker pairs	1 pair	2 pairs	4 pairs	8 pairs
Jumper setting	X1	X2	X4	X8

If necessary remove each jumper shunt and place it in the required position (X1, X2 etc.) for each channel.

b) You can also use the following page charts to identify the correct impedance - matching according to your audio source minimum impedance and the number of speaker pairs.

- Determine the minimum impedance of your audio source (check manufacturer's specifications) – and refer to the appropriate chart. If your amplifier is 6 Ω stable, use the 8 Ω chart;
- Determine the impedance for each pair of speakers (check manufacturer's specifications);
- Determine the total number of 4 Ω pairs of speakers (rows on charts);
- Determine the total number of 8 Ω pairs of speakers (columns on charts);
- Use the appropriate row and column to determine the correct setting on jumper blocks.

Setting the number of speakers

Impedance matching for 8Ω rated amplifiers

		Pairs of 8Ω speakers								
		0	1	2	3	4	5	6	7	8
Pairs of 4Ω speakers	0		X1	X2	X4	X4	X8	X8	X8	X8
	1	X2	X4	X4	X8	X8	X8	X8	X8	
	2	X4	X8	X8	X8	X8				
	3	X8	X8	X8						
	4	X8								

Impedance matching for 4Ω rated amplifiers

		Pairs of 8Ω speakers								
		0	1	2	3	4	5	6	7	8
Pairs of 4Ω speakers	0		X1	X1	X2	X2	X4	X4	X4	X4
	1	X1	X2	X2	X4	X4	X4	X4	X8	X8
	2	X2	X4	X4	X4	X4	X8	X8	X8	X8
	3	X4	X4	X4	X8	X8	X8	X8	X8	X8
	4	X4	X8	X8	X8	X8	X8	X8	X8	X8
	5	X8	X8	X8	X8	X8	X8	X8		
	6	X8	X8	X8	X8	X8				
	7	X8	X8	X8						
	8	X8								

If necessary remove each jumper shunt and place it in the required position (X1, X2 etc.). The positions for both channels of the specific zone should be the same.

6. After all settings are finished install the cover and screw in the screws. The Speaker Selector is ready to be connected to speakers and audio sources
7. Additional important information:
 - Only speakers of the same impedance can be used for each channel of a single zone (for example 4,6,8Ω speakers cannot be mixed in the left channel of Zone 1).
 - Impedance and number of speakers in the left channel of the zone can be different than in the right channel of the same zone (for example 3 pieces of 8Ω speakers can be connected to the left channel of Zone 1, and 2 pieces of 4Ω speakers to the right channel of the same zone etc.). Maximum is 16 pieces for both channels of the zone.
 - Audio sources rated for 4/6Ω loads used with 8Ω speakers can lead to a loss of power. We recommend using audio sources rated for 8Ω loads.
 - The more speakers connected to a zone the more likely is a loss of power.

Setting the number of speakers

Note! Connecting more speakers than the maximum quantity allowed and/or speakers/ audio sources outside the permitted impedance range can damage connected devices or this product. This may void your warranty.

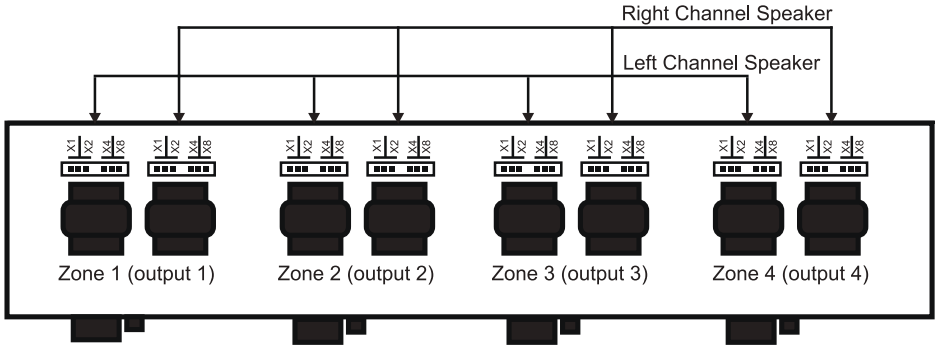


Figure 1 (TVS-4 model shown)

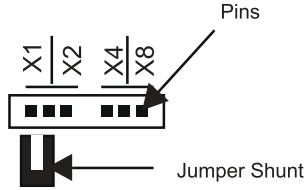


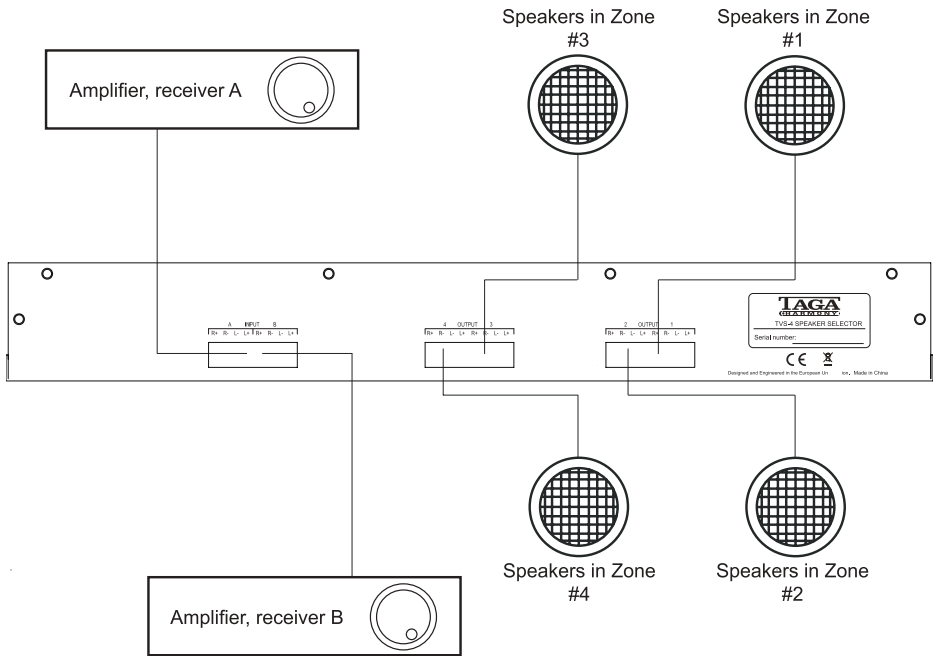
Figure 2 (6-pin jumper block)

Hooking Up Speaker Cables to Terminals

The pin screw terminal connectors can accommodate up to 14 AWG speaker cables. 14 AWG speaker cable is recommended for longer connections (greater than 20 meters / 66 feet). For shorter lengths you can use 16 or 18 AWG speaker cables. It is recommended to leave about 150 cm (5 feet) of extra cable at the speaker selector to facilitate positioning and installation of the speaker selector. Do not use staples, nails or other metal objects to secure the speaker cables. You will get the best sound quality and least amount of hum by keeping the speaker cables away from other electrical wires and cables.

Pay attention to connecting the polarity of the speaker selector correctly with the amplifier and speakers pin screw terminal connectors (RED + with +, BLACK - with -). Before connecting the speaker make sure that your amplifier is switched off. Please refer to your amplifier and speakers' instruction manual for more information.

Connecting Audio Sources and Speakers



(TVS-4 model shown)

Operation

1. Make sure your audio sources (amplifiers, receivers etc.) are switched off.
2. Make sure that the volume regulators on your audio sources are set to minimum.
3. Make sure that the Volume Regulators on your Speaker Selector are set to minimum.
4. Switch OFF all Zones on the Speaker Selector (Zone Selectors switched in the top position).
5. Using speaker cables (not supplied with this product) connect your audio source. If you connect one amplifier connect it to the Input A located on the rear panel of the Speaker Selector. If you want to use one more amplifier as an audio source connect it to the Input B.
6. Using speaker cables (not supplied with this product) connect your speakers to required Speaker Output to Zones terminal connectors (Output) located on the rear panel of the Speaker Selector.
7. Switch on your audio sources and start playback on connected devices.
8. Select desired Zones (press down corresponding Zone Selector ON/OFF switches) where to you want to transmit an audio signal from one of your audio sources.
9. For each Zone you can select one of 2 sources (Input A or B) using Source Amplifier Selector (A/B) corresponding to each zone. Press the switch down to use the audio source connected to the Input A, press again to use the audio source connected to the Input B.
10. Set the sound volume level on your audio sources and regulate the volume for a selected zone using Volume Regulators corresponding to each zone. The maximum level of sound volume will be determined by the level set on your audio sources.

Note! High volume levels can damage your amplifier(receiver), this product or speakers. This may void your warranty.

Note! Avoid to short-circuit of cables – it can damage your amplifier(receiver), this product or speakers. This may void your warranty.

Zone Selectors:

ON: Press down of these switches (the switch in the down position) to transmit an audio signal from your audio source (amplifier, receiver etc.) to speakers in the corresponding zone.

OFF: Press it again to switch off the transmission (the switch in the top position).

Source Amplifier Selectors:

A: Press down of these switches (the switch in the down position) to transmit an audio signal from the audio source (amplifier, receiver etc.) connected to the Input A to speakers in the corresponding zone.

B: Press it again (the switch in the top position) to choose the transmission from the audio source (amplifier, receiver etc.) connected to the Input B.

Volume Regulators:

Each zone has an independent Volume Regulator. You can adjust the sound volume of each zone from minimum (the knob – max counter-clockwise) to maximum (the knob – max clockwise). The maximum is the sound level which is set on the audio source (amplifiers, receivers etc.) selected for the given zone (Zone Selectors).

We strongly advise to contact a professional installer or dealer in order to install TAGA Harmony products.

We recommend using high quality TAGA Harmony cables and other installation accessories.



Your product is marked with the symbol as showed on the left.
For EU (European Union) member users:
This product has been tested and found in compliance with requirements of the European Community 2014/30/EU directive.



IMPORTANT!

Your product is marked with the symbol as showed on the left.
For EU (European Union) member users:

According to the WEEE (Waste electrical and electronic equipment) Directive, do not dispose of this product as household waste or commercial waste. Waste electrical and electronic equipment should be appropriately collected and recycled as required by practices established for your country. For information on recycling of this product, please contact your local authorities, your household waste disposal service or the shop where you purchased the product.

TAGA EUROPE

POLPAK POLAND Sp. z o.o.
AL.JEROZOLIMSKIE 333A
05-816 REGULY k/WARSZAWY, POLAND
Email: Sales@TagaHarmony.com

www.TagaHarmony.com

Notes
