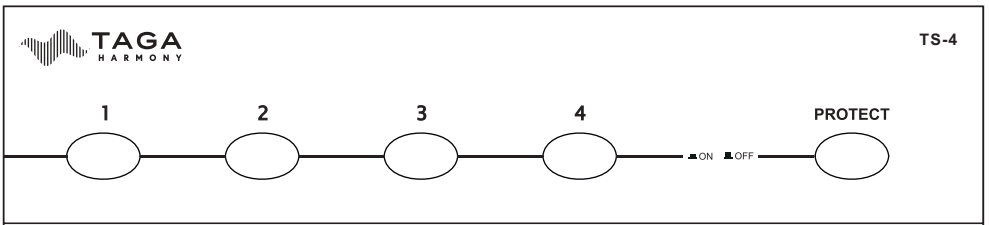




**TAGA**  
HARMONY

# TS series

1-SOURCE SPEAKER SELECTORS



Instruction Manual

# Introduction

---

Thank you for purchasing this TAGA Harmony 1-source, multizone speaker selector.

TAGA Harmony speaker selector is a device which is an efficient, cost-effective way of expanding an audio system at home or commercial venues (bars, cafes, restaurants, shops, conference rooms etc.) into a complex multi-room sound system.

The speaker selector distributes audio signals from an audio source (amplifier, receiver etc.) to speakers located in different zones.

Our speaker selector can work with a single audio source and multizones.

Each zone can be independently activated or deactivated.

This selector is equipped with the impedance protection circuit. Once activated regardless of the number and nominal impedance of connected speakers it protects the audio source (amplifier) from being damaged due to impedance drop.

All functions are conveniently located on the front panel for easy access.

An additional speaker selector can be connected to this TS selector in order to expand system capabilities and to add extra zones.

## Zones

A number in a model name indicates the maximum number of zones which this product can operate with.

## Cleaning

Do not use strong or abrasive cleaners. Use a damp, soft cloth for cleaning.

## Specifications and the latest instruction manual edition

Full technical specifications and the latest edition of the instruction manual are available on [www.TagHarmony.com](http://www.TagHarmony.com).

# Contents

---

Safety Instructions	4
Front and Rear Panel	5
Hooking Up Speaker Cables	6
Connecting Audio Source and Speakers	6
Operation	7

# Safety Instructions

---

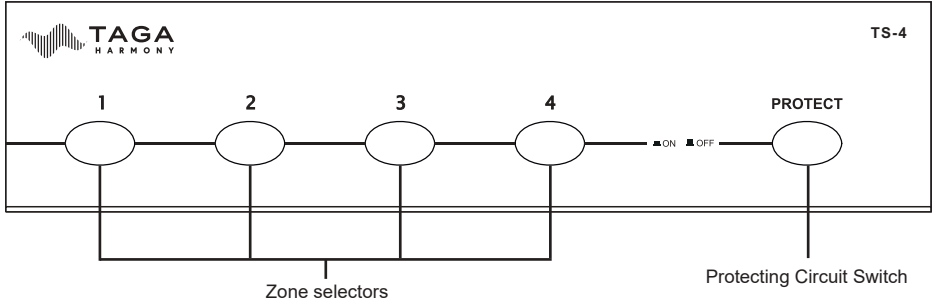


An exclamation mark in a triangle is intended to alert the user to the presence of important operating and maintenance (servicing) instructions in the literature accompanying the appliance.

1. Read Instructions - All the safety and operating instructions should be read before the product is operated.
2. Retain Instructions - The safety and operating instructions should be retained for future reference.
3. Heed Warnings - All warnings on the product and in the operating instructions should be adhered to.
4. Follow Instructions - All operating and use instructions should be followed.
5. Cleaning - do not use liquid cleaners or aerosol cleaners.
6. Water and Moisture - Do not use this product near water - for example, near a bath tub, wash bowl, kitchen sink or laundry tub; in a wet basement; or near a swimming pool; and the like.
7. Accessories - Do not place this product on an unstable cart, stand, tripod, bracket or table. The product may fall, causing serious injury to a child or adult and serious damage to the product. Use only with a cart, stand, tripod, bracket or table recommended by the manufacturer or sold with the product. Any mounting of the product should follow manufacturer's instructions and should use a mounting accessory recommended by the manufacturer.
8. Ventilation - This unit may be equipped with slots and openings in the cabinet (housing) which are provided for ventilation and to ensure reliable operation of the product and to protect it from overheating and these openings must not be blocked or covered. The openings should never be blocked by placing the product on a bed, sofa, rug or other similar surface. This product should be not placed in a built-in installation such as a bookcase or rack unless proper ventilation is provided or the manufacturer's instructions have been adhered to.
9. Object and Liquid Entry - Never push objects of any kind into this product through openings as this may short-out parts that could result in a fire. Do not expose this apparatus to dripping or splashing and ensure that no objects filled with water, such as vases are placed on the apparatus.
10. Servicing - Do not attempt to service this product yourself as opening or removing covers may expose you to dangerous hazards. Refer all servicing to qualified service personnel.
11. Damage Requiring Service - Refer servicing to qualified personnel under the following conditions:
  - if liquid has been spilled or objects have fallen into the product;
  - if the product does not operate normally by following the operating instructions. Adjust only those controls that are covered by the operating instructions as an improper adjustment of other controls may result in damage and will require extensive work by a qualified technician to restore the product to its normal operation;
  - if the product has been dropped or damaged in any way;
  - if the product exhibits a distinct change in performance - this indicates a need for a service.
12. Replacement Parts - when replacement parts are required, be sure the technician has used replacement parts specified by the manufacturer or with the same characteristics as the original part. Unauthorized substitutions may result in fire, electric shock or other hazards.
13. Safety Check - Upon completion of any service or repairs to this product, ask the service technician to perform safety check to determine that the products is in proper operating condition.
14. Wall of ceiling mounting - The product should be mounted to a wall or ceiling only as recommended by the manufacturer.
15. Heat - The product should be situated away from heat sources such as radiators, heat registers, stoves or other products (including amplifiers) that produce heat.
16. Operating Environment - Operating environment temperature and humidity of the unit: +5°C to +35°C (+41°F to +95°F); less than 85% RH (cooling slots not blocked).

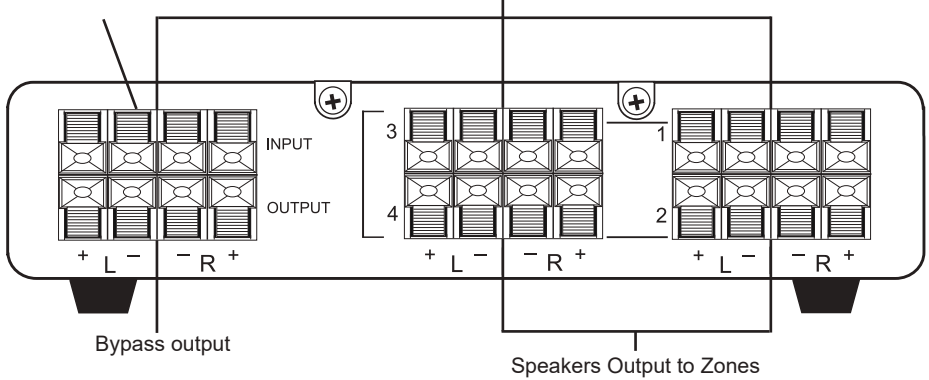
# Front and Rear Panel

/ TS-4 shown /



Amplifier (receiver) input

Push-in Spring Terminals



# Hooking Up Speaker Cables

The Push-in Spring Terminals can accommodate up to 14AWG speaker cables. It is recommended to leave about 150 cm (5 feet) of extra cable at the selector end to facilitate positioning and installation of the selector. Do not use staples, nails or other metal objects to secure the cables.

You will get the best sound quality and least amount of hum by keeping the cables away from other electrical wires and cables.

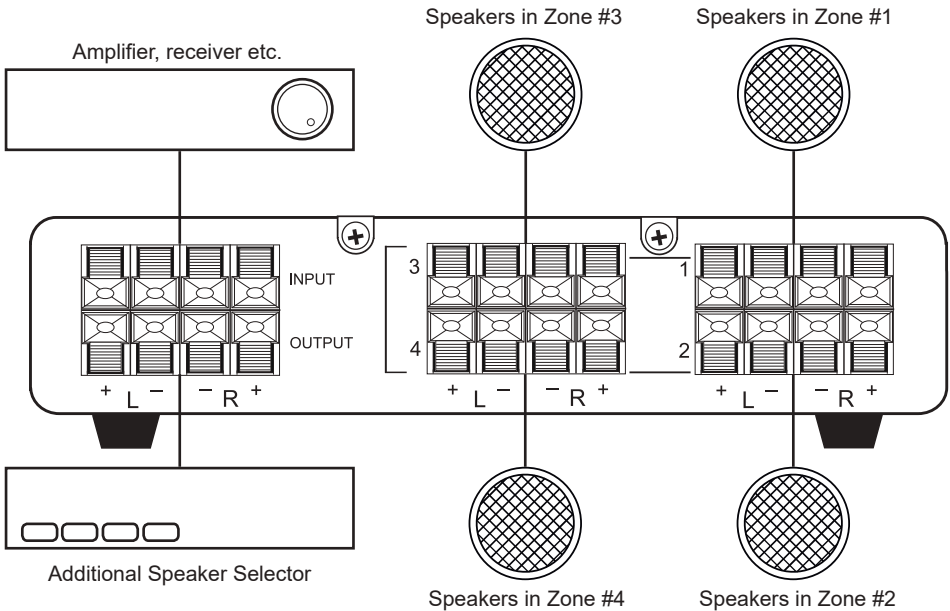
Pay attention to connecting the polarity of the selector correctly with the audio source (amplifier, receiver etc.) and speakers in each speaker group (RED + terminal with RED + amplifier / speaker connector, BLACK – terminal with BLACK – amplifier / speaker connector).



Before connecting make sure that your audio source is turned off. Do not let bare speaker wires touch each other or any metal part of this unit. It can damage this unit and/or audio source / speakers.




Please refer to your audio source / speaker instruction manual for more information.

# Connecting Audio Source and Speakers



# Operation


---

1. Make sure your audio source (amplifier, receiver etc.) is switched off.
2. Make sure that the volume regulator on your audio source is set to minimum.
3. Switch OFF all the Zones on the Speaker Selector (Zone Selectors in the  OFF position).
4. Switch ON the Protecting Circuit (the „PROTECT“ switch is in the  ON position).
5. Using speaker cables (not supplied with this product) connect your audio source to the amplifier INPUT terminals located on the rear of the Speaker Selector.
6. Using speaker cables (not supplied with this product) connect your speakers to the required speakers OUTPUT terminals located on the rear of the Speaker Selector.
7. Switch on your audio source and start playback on a connected device.
8. Select active Zones (press  ON Zone Selector switches for the corresponding zones), to which you want to transmit an audio signal from your audio source.
9. Regulate volume on your audio source to adjust level of sound in in the active Zones.



High volume levels can damage your amplifier (receiver), this products and / or speakers. This may void your warranty.


## Zone Selectors:

**ON:** Press down one of there switches (the switch in the  ON down position) to transmit an audio signal from your amplifier (receiver) to the speakers in the corresponding zone (room).

**OFF:** Press it again to switch off the transmission (the switch in the top position).

## PROTECT Protecting Circuit Switch:

This model has manually activated impedance protection circuit.

In the  ON position regardless of the number and nominal impedance of the connected speakers it prevents of impedance drop below an unsafe level of 5 ohm, what can cause damages to your audio source (amplifier, receiver).



The speaker selector accepts speakers with the impedance of minimum 4Ω or higher. Connecting speakers with lower impedance may damage this unit, audio source and / or speakers. This may void your warranty.




The total RMS power of all connected speakers should not exceed the nominal RMS power of the audio source. Unless not all zones are used at the same time - in such a case the total RMS power of all speakers connected to the active zones should not exceed the nominal RMS power of the audio source.

Failure to follow the above recommendations may damage this unit, audio source and / or speakers.


This may void your warranty.



The RMS power of the audio source should not exceed the power supported by this speaker selector otherwise this unit, audio source and / or speakers may be damaged. This may void your warranty.

In the  OFF position the protecting circuit is not operating - it can be useful if you intend to use the speaker selector as a part of a planned system of impedance matching volume regulatios, allowing you to get the most out of your amplifier (receiver).

**ON:** Press down the protecting circuit switch (the switch in the  ON position).

**OFF:** Press it again to switch off the protecting circuit (the switch in the  OFF position).



The Protecting Circuit Switch „PROTECT” should be always switched ON :

- when connecting more than a single pair of speakers to a single zone.
- when connecting 4Ω-impedance speakers to the speaker selector.

Failure to follow the above recommendations may damage this unit, audio source and / or speakers.

This may void your warranty.



The OFF option should be used only when speakers and audio source have been selected and connected by a professional installer.

### **Bypass Output:**

Additional Speaker Selector can be connected to this output in order to expand system capabilities and to add extra zones (rooms).



**We strongly advise to contact a professional installer or dealer in order to install TAGA Harmony products.**

**We recommend using high quality TAGA Harmony cables and other installation accessories.**

---

## Kit Content:

Speaker Selector	1EA
Instruction Manual	1EA

---



Your product is marked with the symbol as showed on the left.  
For EU (European Union) member users:  
This product has been tested and found in compliance with requirements of the European Community 2014/30/EU (EMC) directive.



### IMPORTANT!

Your product is marked with the symbol as showed on the left.  
For EU (European Union) member users:

According to the WEEE (Waste electrical and electronic equipment) Directive, do not dispose of this product as household waste or commercial waste. Waste electrical and electronic equipment should be appropriately collected and recycled as required by practices established for your country.  
For information on recycling of this product, please contact your local authorities, your household waste disposal service or the shop where you purchased the product.

### TAGA EUROPE

POLPAK POLAND Sp. z o.o.  
AL.JEROZOLIMSKIE 331A  
05-816 REGULY k/WARSZAWY, POLAND  
Email: Sales@TagaHarmony.com

**[www.TagaHarmony.com](http://www.TagaHarmony.com)**

# Notes

---

# Notes

---

# Notes

---