

# **TAGA**<sup>®</sup>

## **HARMONY**

To Achieve Glorious Acoustics

---

### **TRS Series**

#### GARDEN RAINPROOF SPEAKERS



---

Instruction Manual

# Introduction

---

Thank you for purchasing this TAGA Harmony speakers.

Garden series speakers are designed for installation in gardens, patios, terraces and other outdoor open spaces. Durable housing with natural and non-intrusive appearance allows TAGA Harmony speakers to perfectly adapt in the architecture of the environment.

This instruction manual provides all of the information that you need to know about your TAGA Harmony TRS speaker. Please read it carefully before you start using the unit.

## Specifications

Full technical specifications are available on the [www.taga-audio.com](http://www.taga-audio.com) website.

# Speaker Placement and Set-up

---

## 1. Select location

It is advisable to plan all aspects of installation before starting the setup.

Great care should be taken to ensure that all local building and legal regulations are followed. In case of any doubt contact a professional TAGA Harmony installer or dealer.

When placing the speaker, find the position offering the best sound coverage throughout the listening area.

When installing more than 1 speaker make sure the speakers are placed at least 2 meters (6.6 feet) from each other what usually gives the best sound effects.

Avoid placing the speaker in a direct path of water sprinklers or where it will be continually exposed to chlorinated solvents from a pool or spa.

For stereo effect you have to use 2 mono speakers for a single stereo audio source.

The SM (stereo / mono) models ensure high quality, dual-channel sound from a single speaker. The SM models can provide much wider dispersion than traditional speakers as well as eliminate sound imbalances which can be heard once listeners move around the area.



## 2. Run the speaker cable

Before hiding the cable (digging in etc.), run the speaker cable from the speaker to the sound source (amplifier, receiver etc.). Ensure to avoid any obstacles such as walls, electrical cables, water sprinklers and pipes.

If you use the speaker in the outdoor environment make sure to use a speaker cable for the outdoor use. The speaker cable is not supplied with this product.



## 3. Hide the speaker cable

To avoid accidental interruption or disconnection of the speaker cable it is recommended to place the cable approximately 10 cm (0.33 feet) in the ground or fix it to the ground with U type clamps (not supplied with this product).

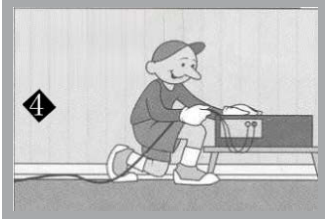
To further secure the cable in the ground we recommend to place it in a PVC / Nylon conduit tube (not supplied with this product).



# Speaker Placement and Set-up

---

## 4. Connect the sound source (for TRS L models check point 5)



Before connecting the speaker make sure that your audio source (amplifier, receiver etc.) is switched off. Connect the speaker cable to the speaker and amplifier.

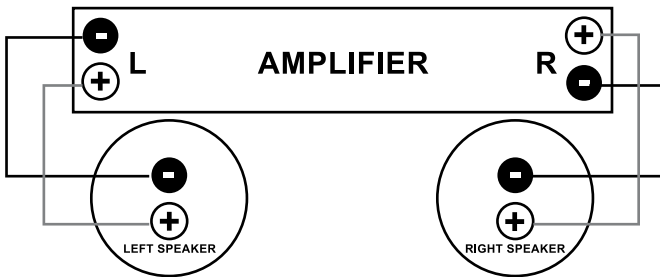
Pay attention to connecting the polarity of the speaker correctly with the amplifier speaker output terminals.

Each channel of your amplifier has 2 speaker output terminals: one is + (usually RED color) and one is - (usually BLACK color). Please refer to your amplifier's instruction manual for more information.

### Mono TRS Speaker

A pair of short speaker cables is located at the bottom of your TRS speaker (protected by an external black sleeve): one cable is + (RED color) and one is - (BLACK color). Use a speaker cable to connect TRS speaker cables with your amplifier.

Each channel of your amplifier should be connected to a single speaker. The amplifier output speaker terminal marked with + should be connected with + (RED color) speaker cable of your TRS speaker and the one marked with - should be connected with - (BLACK color) speaker cable of your TRS speaker.



### SM (stereo / mono) TRS Speaker

2 pairs of short speaker cables are located at the bottom of your TRS SM speaker (each pair is protected by an external black sleeve). The pair for Left channel is marked with L on the speaker's cabinet, the pair for Right channel is marked with R on the speaker's cabinet. For each channel: one cable is + (RED color) and one is - (BLACK color). Use a speaker cable to connect TRS speaker cables with your amplifier.

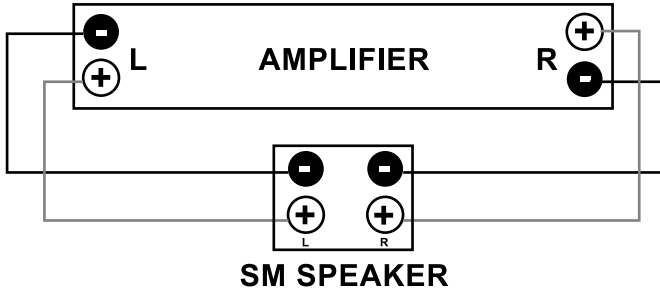
Both channels of your amplifier can be connected to a single SM speaker.

The amplifier Left output speaker terminal marked with + should be connected with Left

# Speaker Placement and Set-up

---

+ (RED color) speaker cable of your TRS SM speaker, and the amplifier Left output speaker terminal marked with - should be connected with Left - (BLACK color) speaker cable of your TRS SM speaker. The same should be done for the Right channel.



If your speaker is wired incorrectly it will be out of phase and it will sound indistinctly and with a weak bass. Re-check your connections and correct the polarity by reversing the connections.

**NOTE!** Make sure to securely connect the speaker cables with the cables of your TRS speaker.

**WARNING!** Check whether your amplifier may work with impedance of your TAGA Harmony speaker. Otherwise you may burn the amplifier and damage the speakers - it may void your warranty.

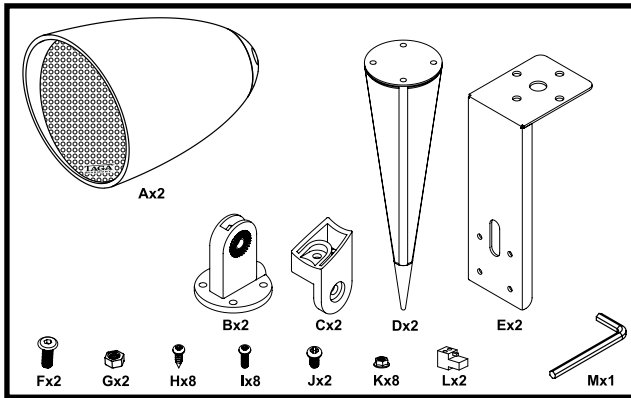
## 5. TRS L models

### Accessories

Contents of 1 packaging:

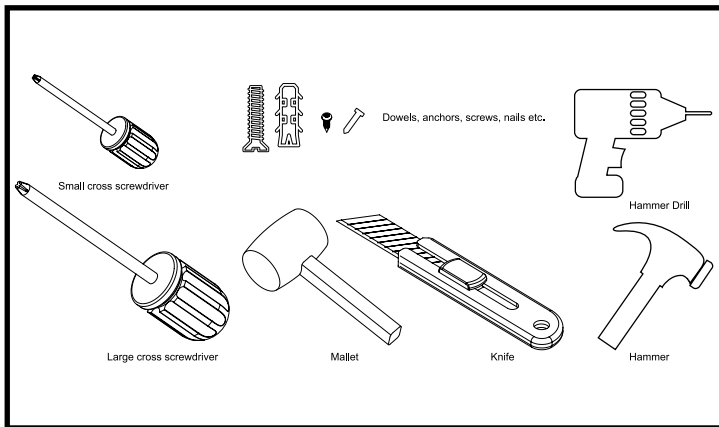
- A. Speaker x 2 pieces
- B. Surface Mount x 2 pieces
- C. Mount Arm x 2 pieces
- D. Ground Stake x 2 pieces
- E. Ceiling-Wall Mount x 2 pieces
- F. Hex Socket Head Screw x 2 pieces [to attach the Mount Arm to the Surface Mount]
- G. Nut x 2 pieces [to attach the Mount Arm to the Surface Mount]
- H. Self-Tapping Screw x 8 pieces [to attach the Surface Mount to the Ground Stake]
- I. Screw x 8 pieces [to attach the Surface Mount to the Ceiling-Wall Mount]
- J. Screw x 2 pieces [to attach the Mount Arm to the Speaker]
- K. Nut x 8 pieces [to attach the Surface Mount to the Ceiling-Wall Mount]
- L. Quick Speaker Connector – Terminal Block x 2 pieces
- M. Internal Hex Wrench x 1 piece

# Speaker Placement and Set-up



## Required tools (not supplied with this product)

Depending on the mounting surface and option prepare some of the following tools:



## Connect the sound source

Make sure that your sound source (amplifier, receiver etc.) is switched off.

1. Depending on the installation option (check "Installation options" for more details) run the speaker cable properly through the Surface Mount and the Mount Arm.

2. Using a screwdriver unscrew the connectors on the Quick Speaker Connector – Terminal Block and connect the bare speaker cable.

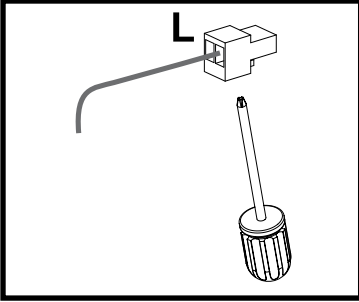
Each channel of your amplifier should be connected to a single speaker. The amplifier output speaker terminal marked with + (RED color) should be connected to the + terminal connector of your TRS L speaker and the one marked with – (BLACK color) with - terminal connector of your TRS L speaker.

Follow the same for the other speaker channel.

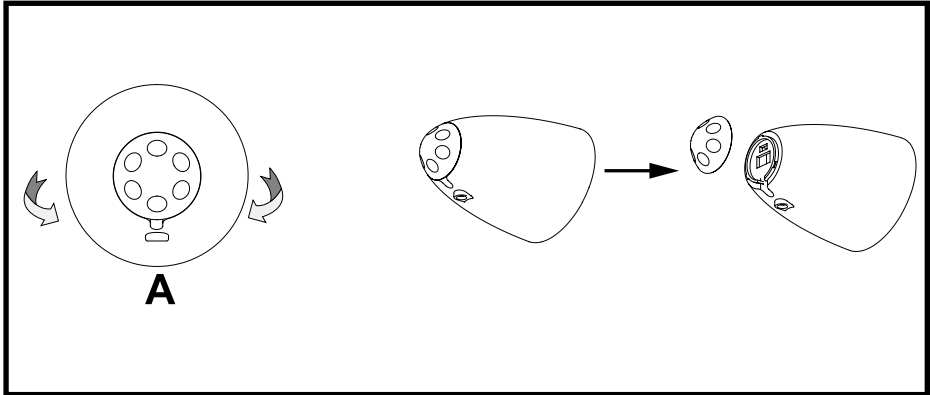
# Speaker Placement and Set-up

---

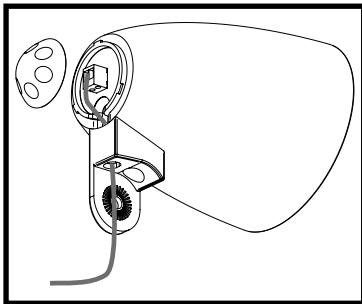
3. Firmly screw in the connectors.



4. Remove the seal cap which is located on the rear of the Speaker (twist to open and close).



5. Plug in the Quick Speaker Connector – Terminal Block to the terminal socket which is located under the seal cap.



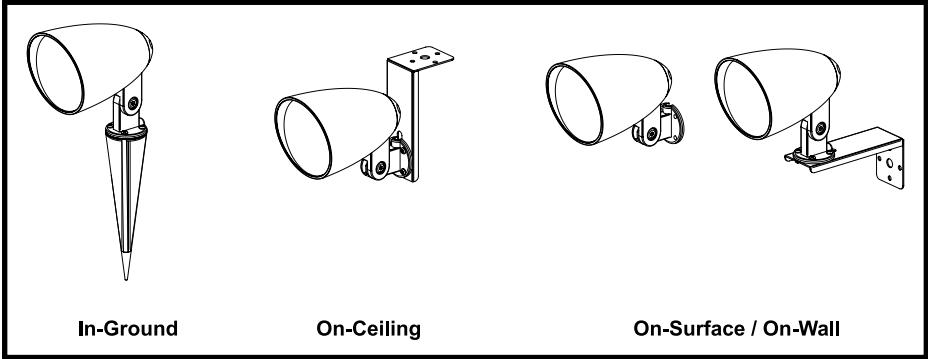
6. Firmly mount the seal cap back to the Speaker.

# Speaker Placement and Set-up

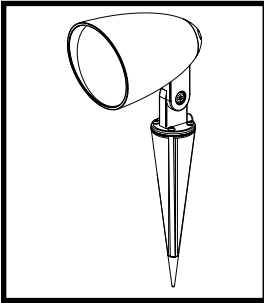
---

## Installation options

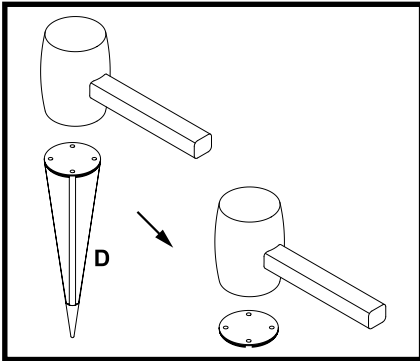
The TRS L models offer a choice of installation options:



## **In-Ground**



1. Using a mallet pound the Ground Stake into the ground. You can use a wooden block to protect the top part of the Ground Stake.

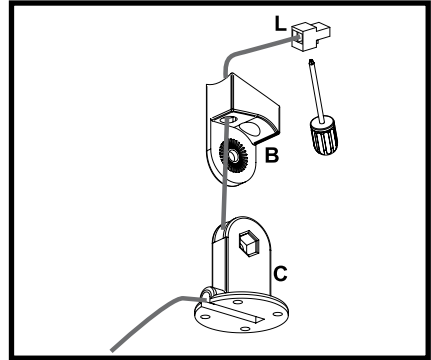




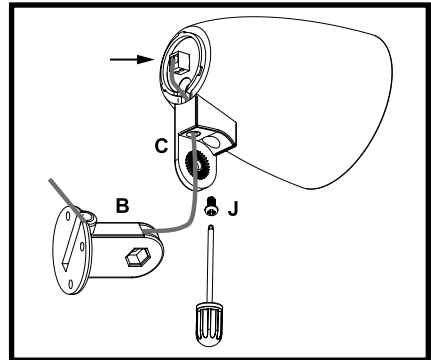
# Speaker Placement and Set-up

---

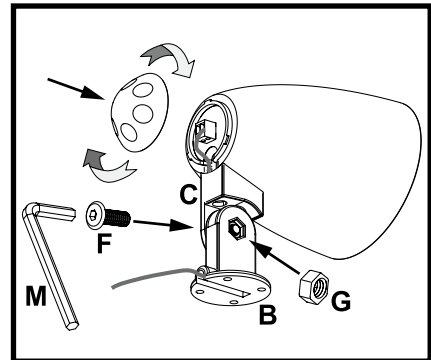
2. Run the speaker cable through the Surface Mount and the Mount Arm and connect it to the the Quick Speaker Connector – Terminal Block (check “Connect the sound source” for more details).



3. Plug in the Quick Speaker Connector – Terminal Block to the terminal socket (check “Connect the sound source” for more details). Using a screwdriver attach the Mount Arm to the Speaker.



4. Firmly mount the seal cap back to the Speaker.  
Using the Internal Hex Wrench attach the Surface Mount to the Mount Arm.  
**Note:** Do not tighten the Hex Screw too firmly.



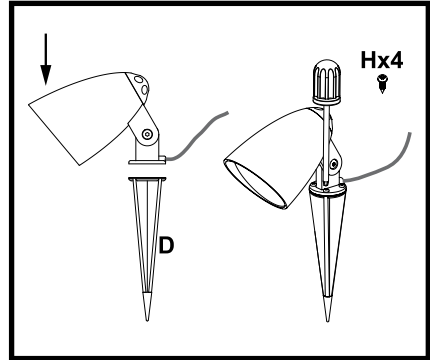
# Speaker Placement and Set-up

---

5. Set the speaker in the down position.

Using a screwdriver attach the Surface Mount to the Ground Stake.

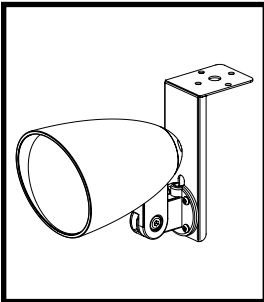
**Note:** Make sure not to damage the speaker cable.



6. Set the required Speaker position and tighten the Hex Socket Head Screw (check “Vertical angle regulation” for more details).

**Note:** Make sure to tighten the Hex Screw firmly but be cautious not to break the thread or the mounts.

## On-ceiling



**WARNING!** Depending on the ceiling type, use an appropriate fixing system (ask your local dealer or installer for advice).

We recommend to use the fixing system which is able to keep the weight at least 20% higher than the actual weight of your TRS L speaker together with the Ceiling-Wall mount.

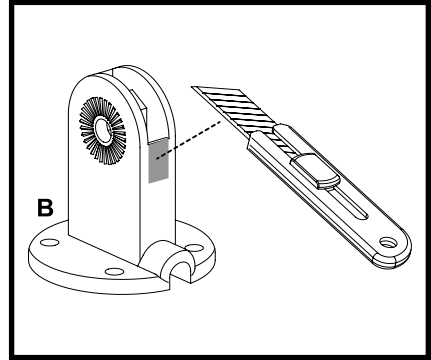
Using improper installation accessories may result in serious injury and Speaker damage.

**Note:** Screws, anchors / dowels are not included with your TRS L speaker.

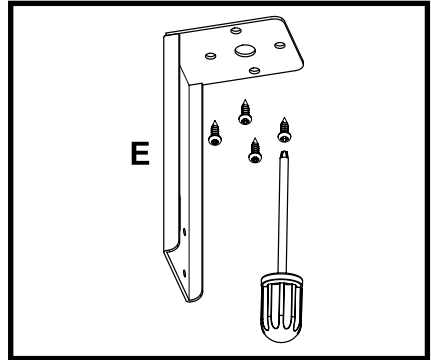
The below installation guide is shown for the wooden ceiling.

# Speaker Placement and Set-up

1. Using a knife cut and remove the part of the Surface Mount which is marked in the grey color.

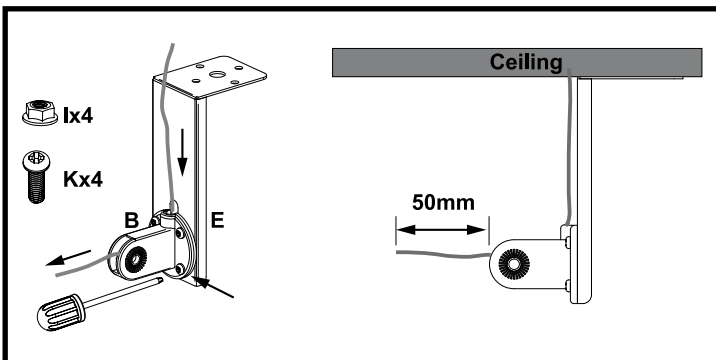


2. Using a screwdriver attach the Ceiling-Wall Mount firmly to the wooden ceiling.



3. Run the speaker cable through the Surface Mount and using a screwdriver attach the Surface Mount firmly to the Ceiling-Wall mount.

**Note:** Leave around 50 mm (2 inches) of extra cable at the Speaker end.



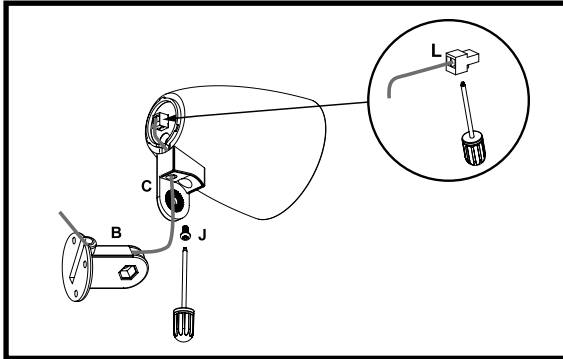
# Speaker Placement and Set-up

---

4. Using a screwdriver attach the Mount Arm to the Speaker.

Run the speaker cable through the Mount Arm and connect it to the the Quick Speaker Connector – Terminal Block.

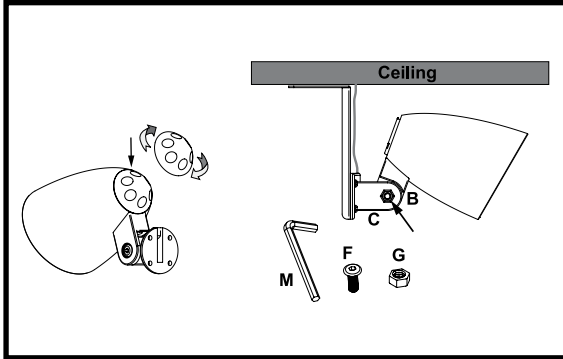
Plug in the Quick Speaker Connector – Terminal Block to the terminal socket (check “Connect the sound source” for more details).



5. Firmly mount the seal cap back to the Speaker.

Using the Internal Hex Wrench attach the Surface Mount to the Mount Arm.

**Note:** Do not tighten the Hex Screw too firmly.



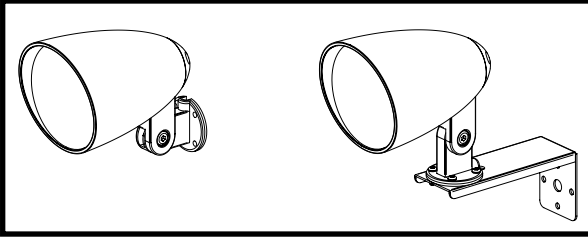
6. Set the required Speaker position and tighten the Hex Socket Head Screw (check “Vertical angle regulation” for more details).

**Note:** Make sure to tighten the Hex Screw firmly but be cautious not to break the thread or the mounts.

# Speaker Placement and Set-up

---

## On-surface / On-wall: floors, decks, walls or garden structures



### Flat Horizontal surfaces

Using a fixing system which is appropriate for the surface you wish to install the Speaker (tent stakes, screws, anchors, dowels or nails - none of them are supplied with this product) attach the Surface Mount directly to the surface.

Follow the instructions, which apply to this type of installation, provided in the in-ground installation option.

### Flat Vertical surfaces

You can mount the Speaker directly on such surfaces or use the Ceiling-Wall Mount to keep spacing from the wall.

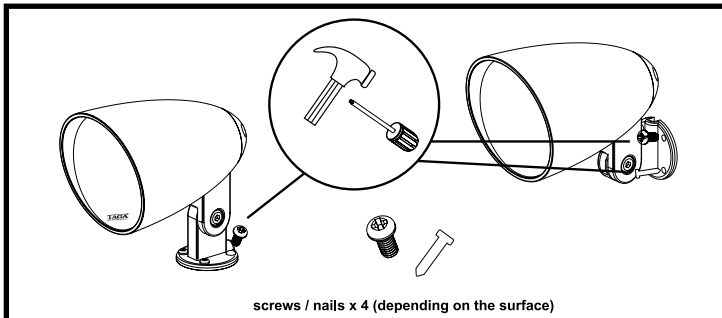
Using a fixing system which is appropriate for the surface you wish to install the Speaker (screws, anchors, dowels or nails - none of them are supplied with this product) attach the Surface Mount directly to the surface.

The installation using the Ceiling-Wall Mount is identical to the on-ceiling installation (the only difference is that the Ceiling-Wall Mount has to be installed in the horizontal position).

In both cases follow the instructions, which apply to this type of installation, provided in the on-ceiling installation option.

**WARNING!** We recommend to use the fixing system which is able to keep the weight at least 20% higher than the actual weight of your TRS L speaker together with all mounting accessories.

Using improper installation accessories may result in serious injury and Speaker damage.



# Speaker Placement and Set-up

---

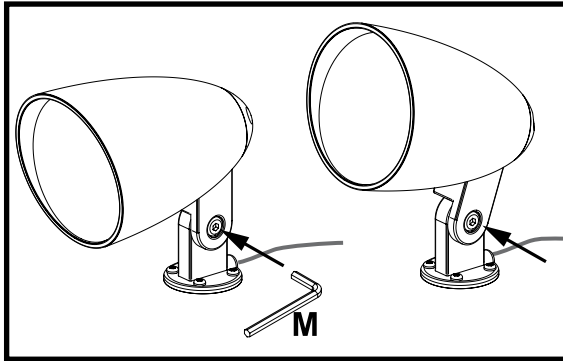
## Vertical angle regulation

The vertical position (angle) of your TRS L speaker can be adjusted. It can be regulated forward and backward.

Using the Internal Hex Wrench loosen the Hex Socket Head Screw. Set the required Speaker position and tighten the Hex Screw.

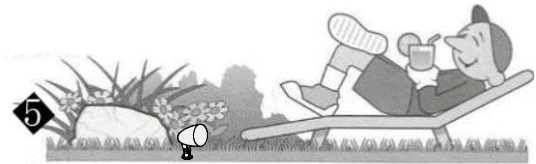
**Note:** Make sure to tighten the Hex Screw firmly but be cautious not to break the thread or the mounts.

**WARNING!** For safety reasons never fully unscrew the Hex Screw when the Speaker is installed above the ground level. This may result in serious injury and Speaker damage.



## 6. Your system is ready to use

ENJOY YOUR MUSIC  
EVERYWHERE!



# Notes

---

---

**We strongly advise to contact a professional installer or dealer in order to install TAGA Harmony products.**

**We recommend using high quality TAGA Harmony speaker cables and other installation accessories.**

---



Your product is marked with the symbol as showed on the left.  
For EU (European Union) member users:  
This product has been tested and found in compliance with requirements of the European Community 2014/108/EC directive.



**IMPORTANT!**

Your product is marked with the symbol as showed on the left.  
For EU (European Union) member users:

According to the WEEE (Waste electrical and electronic equipment) Directive, do not dispose of this product as household waste or commercial waste. Waste electrical and electronic equipment should be appropriately collected and recycled as required by practices established for your country. For information on recycling of this product, please contact your local authorities, your household waste disposal service or the shop where you purchased the product.

**TAGA EUROPE**

POLPAK POLAND Sp. z o.o.  
AL.JEROZOLIMSKIE 333A  
05-816 REGULY k/WARSZAWY, POLAND  
Email: sales@taga-audio.com

**www.taga-audio.com**