

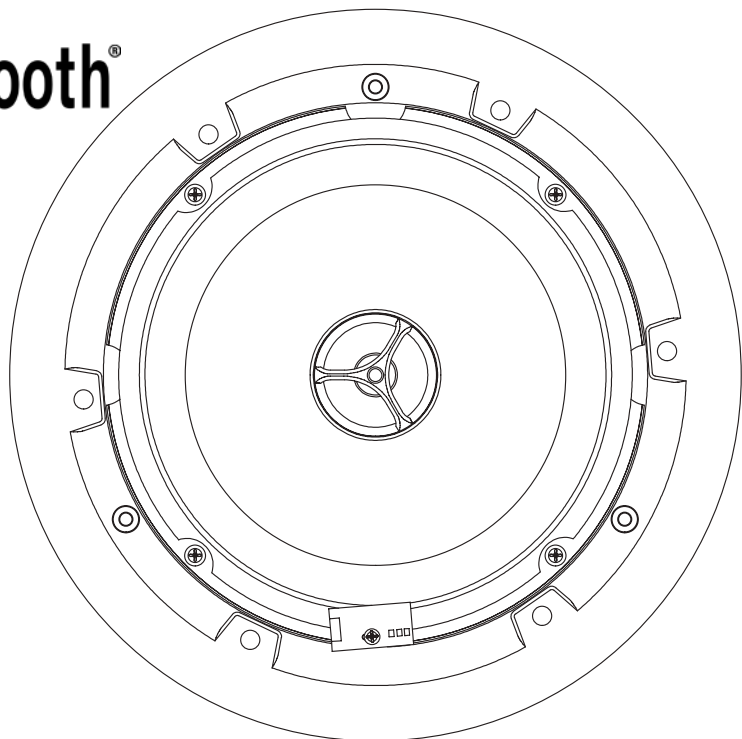
TAGA[®]

HARMONY

To Achieve Glorious Acoustics

RB-1650BT

IN-CEILING ACTIVE SPEAKER SYSTEM



Instruction Manual

Introduction

Congratulations for purchasing TAGA Harmony speaker system!

TAGA Harmony installation speakers provide superior sound performance and amazing value.

The RB-1650BT system consists of a 2 x 30W RMS active speaker (master) paired with a passive one (slave).

The system is a perfect solution for residential as well as commercial installations in restaurants, pubs, shops, conferencing rooms, fitness clubs, teaching rooms.

It allows to build a cost-effective audio installation and stream music wirelessly via **Bluetooth**[®] (music and the Internet radio) or via additional stereo line input (RCA / 3.5 mm).

Unique features like remote control, front and rear IR receivers, RS-232, programmable Auto Standby and Bass / Treble regulations help to integrate the RB-1650BT into any audio-visual installation.

The daisy-chain connection allows to connect many systems of RB BT speakers to the main speaker and build a very large and sophisticated AV installation.

The sound is clear, natural, dynamic and provides wide dispersion throughout a listening area, and thanks to slim bezels you are hard to see speakers mounted in your wall or ceiling!

The grills may be painted to blend with any decor.

This instruction manual provides all of the information that you need to know about your TAGA Harmony Speakers.

Please read it carefully before you start using the unit.

Note!

The speakers are for indoor use only.

Cleaning

Do not use strong or abrasive cleaners. Use a damp, soft cloth for cleaning.

Do not get any part of the speaker wet.

Specifications

Full technical specifications are available on the www.TagaHarmony.com website.

Contents

Safety Instructions	4
Important Safety Instructions	5
Controls and Displays	6
Remote Controller	
Front and Rear Panel	
Configuration and Hooking the System	10
Placement	13
Speaker Mounting	14
Operation - Remote Controller	15
RS-232 Control Codes	18
RS-232 Return Codes	19
Kit Content	20
Specifications	20

Safety Instructions

IMPORTANT

READ THIS SECTION CAREFULLY BEFORE PROCEEDING!



CAUTION

**RISK OF ELECTRIC SHOCK
DO NOT OPEN**



WARNING: TO REDUCE THE RISK OF FIRE OR ELECTRIC SHOCK, DO NOT EXPOSE THIS PRODUCT TO RAIN OR MOISTURE. DO NOT REMOVE CHASSIS (OR BACK). NO USER-SERVICEABLE PARTS INSIDE. REFER SERVICING TO QUALIFIED SERVICE PERSONNEL.



The triangle containing a lightning symbol is intended to alert the user to the presence of uninsulated dangerous voltages within the product's enclosure that may be of sufficient magnitude to constitute a risk of electric shock to persons.



An exclamation mark in a triangle is intended to alert the user to the presence of important operating and maintenance (servicing) instructions in the literature accompanying the appliance.

WARNING: TO REDUCE THE RISK OF FIRE OR ELECTRIC SHOCK, DO NOT EXPOSE THIS APPARATUS TO RAIN OR MOISTURE, AND OBJECTS FILLED WITH LIQUIDS, SUCH AS VASES, SHOULD NOT BE PLACED ON THIS APPARATUS.

CAUTION: TO PREVENT ELECTRIC SHOCK, MATCH WIDE BLADE OF PLUG TO WIDE SLOT, FULLY INSERT.

CAUTION: FOR CONTINUED PROTECTION AGAINST RISK OF FIRE, REPLACE THE FUSE ONLY WITH THE SAME AMPERAGE AND VOLTAGE TYPE. REFER REPLACEMENT TO QUALIFIED SERVICE PERSONNEL.

WARNING: UNIT MAY BECOME HOT. ALWAYS PROVIDE ADEQUATE VENTILATION TO ALLOW FOR COOLING. DO NOT PLACE NEAR A HEAT SOURCE, OR IN SPACES THAT CAN RESTRICT VENTILATION.

Important Safety Instructions

1. Read Instructions - All the safety and operating instructions should be read before the product is operated.
2. Retain Instructions - The safety and operating instructions should be retained for future reference.
3. Heed Warnings - All warnings on the product and in the operating instructions should be adhered to.
4. Follow Instructions - All operating and use instructions should be followed.
5. Cleaning - Unplug this product from the wall outlet before cleaning. Do not use liquid cleaners or aerosol cleaners. Use a damp, soft cloth for cleaning.
6. Water and Moisture - Do not use this product near water - for example, near a bath tub, wash bowl, kitchen sink or laundry tub; in a wet basement; or near a swimming pool; and the like.
7. Accessories - Do not place this product on an unstable cart, stand, tripod, bracket or table. The product may fall, causing serious injury to a child or adult, and serious damage to the product. Use only with a cart, stand, tripod, bracket or table recommended by the manufacturer, or sold with the product. Any mounting of the product should follow manufacturer's instructions and should use a mounting accessory recommended by the manufacturer.
8. Ventilation - Slots and openings in the cabinet are provided for ventilation and to ensure reliable operation of the product and to protect it from overheating, and these openings must not be blocked or covered. The openings should never be blocked by placing the product on a bed, sofa, rug, or other similar surface. This product should not be placed in a built-in installation such as a bookcase or rack unless proper ventilation is provided or the manufacturer's instructions have been adhered to.
For products equipped with a separate power adapter make sure to leave at least 5 cm (2 inches) free space on all sides and top of the adapter.
9. Power Sources - This product should be operated only from the type of power source indicated on the marking label. If you are not sure of the type of power supply to your home, consult your product dealer or local power company. For products intended to operate from battery power, or other sources, refer to the operating instructions.
10. Grounding and Polarization - This product may be equipped with a polarized alternating-current line plug (a plug having one blade wider than the other). This plug will fit into the power outlet only one way. This is safety feature. If you are unable to insert the plug fully into the outlet, try reversing the plug. If the plug should still fail to fit, contact your electrician to replace your obsolete outlet. Do not defeat the safety purpose of the polarized plug.
11. Power-Cord Protection - Power supply cords should be routed so that they are not likely to be walked on or pinched by items placed upon or against them, paying particular attention to cords at plugs, convenience receptacles, and the point where they exit from the product.
12. Lightning - For added protection for this product during a lightning storm, or when it is left unattended and unused for long periods of time, unplug it from the wall outlet and disconnect the antenna or cable systems. This will prevent damage to the product due to lightning and power-line surges.
13. Overloading - Do not overload wall outlets, extensions cords, or integral convenience receptacles as this can result in a risk of fire or electric shock.
14. Object and Liquid Entry - Never push objects of any kind into this product through openings as they may touch dangerous voltage points or short-out parts that could result in a fire or electric shock. Do not expose this apparatus to dripping or splashing, and ensure that no objects filled with water, such as vases, are placed on the apparatus.
15. Servicing - Do not attempt to service this product yourself as opening or removing covers may expose you to dangerous voltage or other hazards. Refer all servicing to qualified service personnel.
16. Damage Requiring Service - Unplug this product from wall outlet and refer servicing to qualified personnel under the following conditions:
 - When power supply cord or plug is damaged;
 - If liquid has been spilled, or objects have fallen into product;
 - If the product does not operate normally by following the operating instructions. Adjust only those controls that are covered by the operating instructions as an improper adjustment of other controls may result in damage and will require extensive work by a qualified technician to restore the product to its normal operation;
 - If the product has been dropped or damaged in any way;
 - If the product exhibits a distinct change in performance - this indicates a need for service.
17. Replacement Parts - When replacement parts are required, be sure the technician has used replacement parts specified by the manufacturer or have the same characteristics as the original part. Unauthorized substitutions may result in fire, electric shock, or other hazards.
18. Safety Check - Upon completion of any service or repairs to this product, ask the service technician to perform safety checks to determine that the product is in proper operating condition.
19. Wall or Ceiling Mounting - The product should be mounted to a wall or ceiling only as recommended by the manufacturer.
20. Heat - The product should be situated away from heat sources such as radiators, heat registers, stoves, or other products (including amplifiers) that produce heat.
21. [Refers to products equipped with vacuum tubes] Tube Cage - For your safety and to protect the vacuum tubes this product may be equipped with the factory installed vacuum tube cage.
It is not recommended to remove the cage unless it is required to change the vacuum tubes.
When the cage is removed - do not touch the vacuum tubes - they may be hot and burn the skin!

Controls and Displays

Remote Controller

The remote controller is supplied with the lithium CR2025 battery installed. To activate it remove the protection transparent shield by pulling it out.

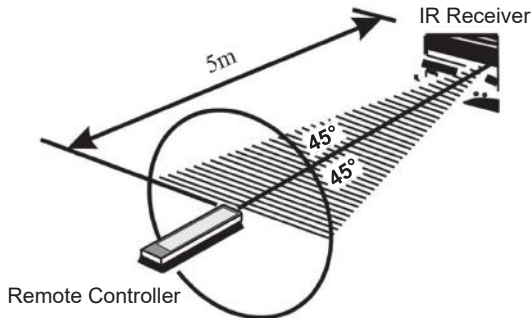
Battery Replacement

1. Prepare a new CR2025 battery.
2. Remove the battery tray which is located on the bottom of the remote controller - keep pressed the latch and pull out the tray.
3. Insert the battery into the battery tray. Carefully follow the polarity diagram inside (positive + symbol).
4. Reinstall the tray.

Note!

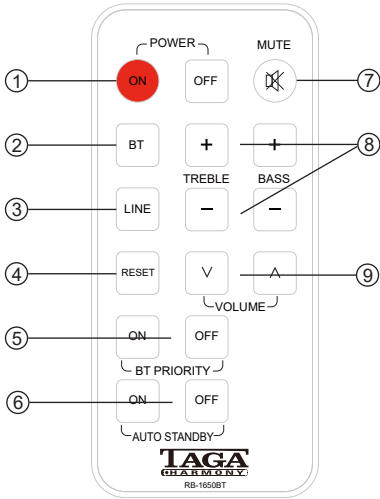
- Use only CR2025 batteries and do not use the rechargeable batteries.
- If the battery run out, remove the old and replace it with a new one within several minutes.
- If the battery is placed incorrectly, it may cause explosion.
- Remove the battery if the remote control is not used for a long period of time.
- Do not handle and store the batteries together with metallic tools.

Operating Range



Use the remote controller within a range of 5 meters from the master speaker and angles of up to 45 degrees aiming at the IR Receiver. Make sure to avoid obstacles between the remote controller and the IR Receiver – it can interrupt the signal transmission.

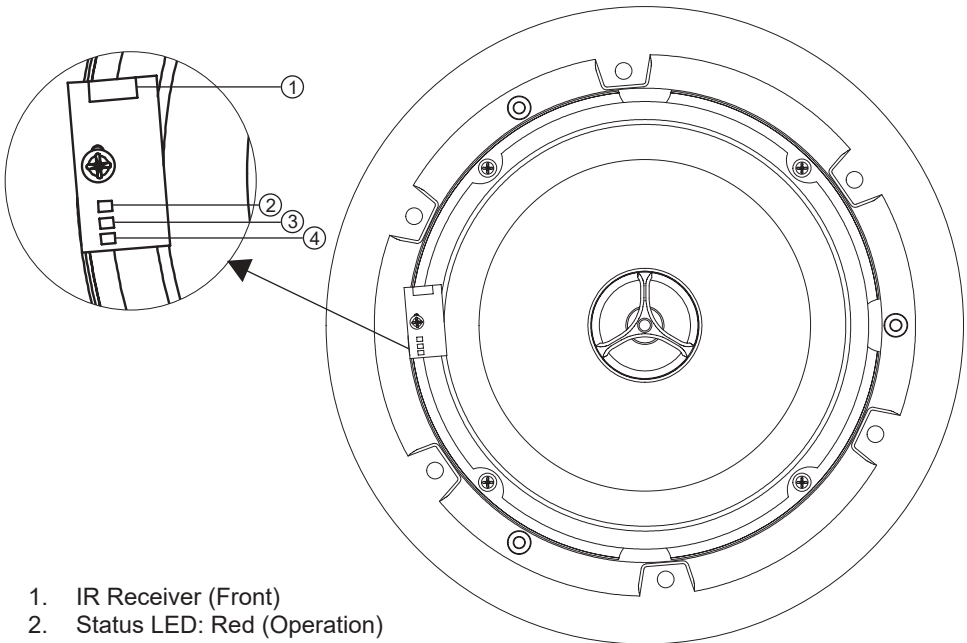
Note! Exposing the IR Receiver to direct sunlight or strong light may cause faulty operation.



1. Power ON and OFF Buttons
2. BT Bluetooth Input Button
3. LINE Input Button
4. RESET Tone to Factory Settings Button
5. BT Bluetooth Priority ON and OFF Buttons
6. AUTO Standby ON and OFF Buttons
7. MUTE Button
8. Tone Buttons +/- for TREBLE and BASS
9. VOLUME Level Buttons (Lower ▼ / Higher ▲)

Front and Rear Panel

Master Speaker - Front Panel



1. IR Receiver (Front)
2. Status LED: Red (Operation)
3. Status LED: Yellow (LINE IN)
4. Status LED: Blue (Bluetooth)

Master Speaker - Rear Panel



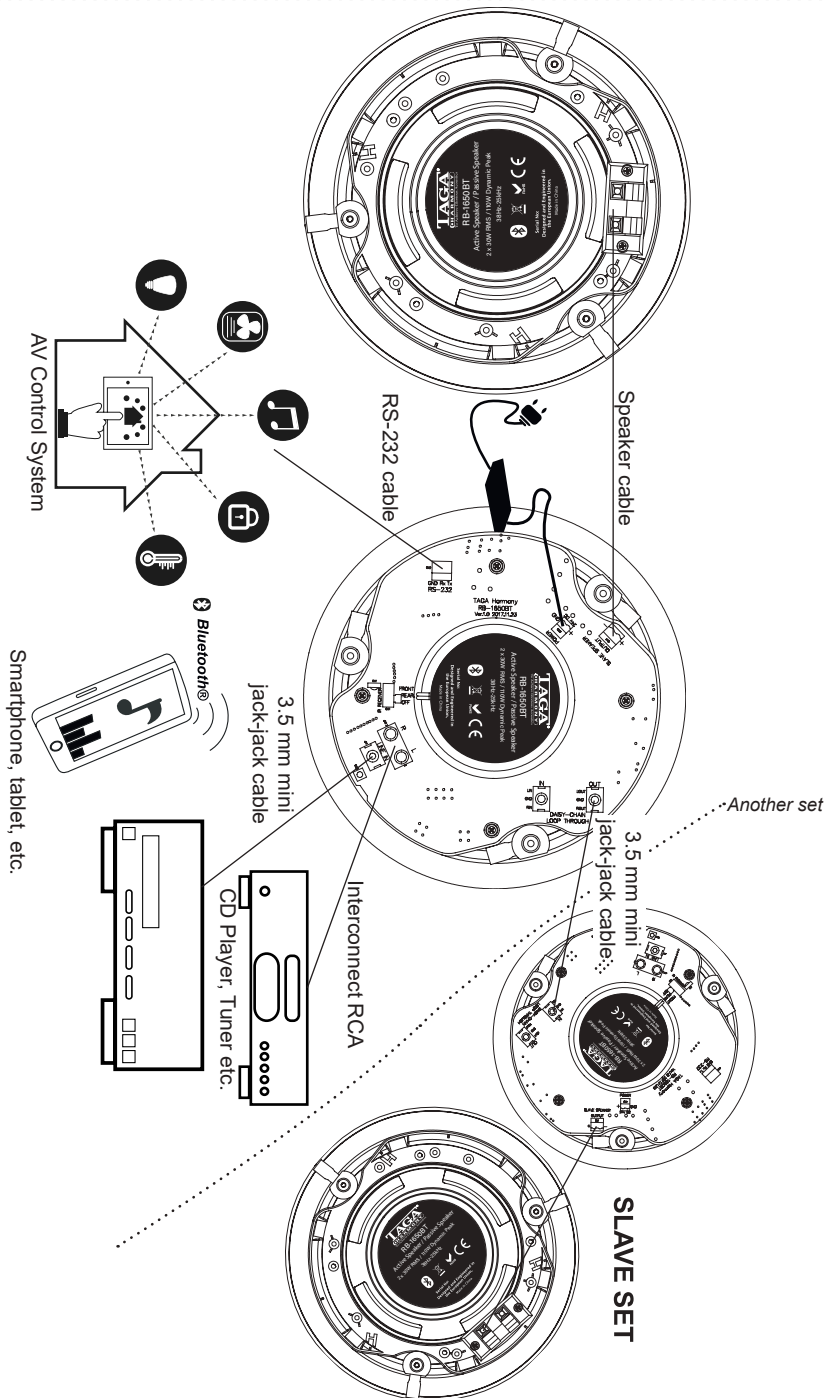
5. POWER input terminal - Phoenix Connector [BLACK color]
6. SLAVE SPEAKER OUTPUT terminal - Phoenix Connector [+ and -] [GREEN color]
7. DAISY-CHAIN LOOP THROUGH - IN and OUT 3.5 mm terminals
8. LINE IN input [RCA Left and Right / 3.5 mm]
9. IR RECEIVER switch
10. IR Receiver (Rear)
11. RS-232 terminal - Phoenix Connector [GREEN color]

Slave Speaker - Rear Panel



12. MASTER SPEAKER INPUT terminal - Spring Clips [+ and -]

Configuration and Hooking up the System



Configuration and Hooking up the System

Make sure the power adapter is disconnected from the electrical outlet. Follow the below instructions before installing the speakers.

Connecting Master with Slave

Connect the master and the slave speaker with each other using a 2-conductor speaker cable (black and white) which is provided with this set.

The cable is ended with a Phoenix plug at one end and a 2 bare conductors on the other.

Insert the Phoenix plug into the SLAVE SPEAKER OUTPUT terminal on the rear of the master speaker.

Connect speaker cable on the other end to the spring clips on the rear of the slave speaker.

Note! Pay attention to connecting the polarity correctly: the WHITE conductor should wire the “+” SLAVE SPEAKER OUTPUT terminal on the master speaker with the RED “+” spring clip on the slave speaker.

The BLACK conductor should wire the “-” SLAVE SPEAKER OUTPUT terminal on the master speaker with the BLACK “-” spring clip on the slave speaker.

Note! Do not connect any other speaker models as a slave speaker than the provided with this set.

Connecting Additional Source Devices to the Line Input

If you want to play music from analog audio source devices (CD player, FM tuner etc.): using an RCA interconnect cable or 3.5 mm stereo mini jack-jack cable (both not supplied with this product) connect the cable to the LINE IN on the rear of the master speaker.

Note! The LINE IN is a single stereo input which uses RCA L/R and 3.5 mm connections which are connected in parallel.

Connecting Multiple Sets (Daisy-Chain)

You can connect multiple systems (sets) together – there is no limit to number of sets. It is called a Daisy-Chain connection.

The first set in a chain is a “master set” which switches the inputs (Bluetooth and LINE IN) and sends the audio signal to the next „slave set” in the chain and adjusts the volume level and regulates the tones for all speakers connected.

If you want to use 2 sets in the Daisy-Chain connection then using a 3.5 mm stereo mini jack-jack cable (no supplied with this product) connect the master set DAISY-CHAIN OUTPUT (3.5 mm) with the DAISY-CHAIN INPUT (3.5 mm) on the slave set. For connecting more sets use the DAISY-CHAIN OUTPUT (3.5 mm) on the second set to connect the third one and for additional sets follow the same rule.

Note! The IR RECEIVER switch in all “slave sets” should be set to OFF which disables the Line Input and activates the DAISY-CHAIN INPUT. The IR RECEIVER switch in the “master set” cannot be in the OFF position.

Note! Never connect any other devices to the DAISY-CHAIN OUTPUT (3.5 mm) nor the DAISY-CHAIN INPUT (3.5 mm). It may damage the system. This may void your warranty.

IR RECEIVER Switch

Configure the switch:

FRONT – the IR Receiver located on the front panel of the master speaker is active (you can operate the system by pointing the remote controller to the front panel).

REAR - the IR Receiver located on the rear panel of the master speaker is active (you can operate the system by pointing the remote controller to the rear panel).

OFF – both front and rear IR Receivers are deactivated. The system is used as a “slave set” in the Daisy-Chain connection.

Integration into an AV Control System via RS-232

This system can be integrated into your AV control system.

If you want to use this system with your AV control system connect a 3-conductor communication cable (no supplied with this product) to the RS-232 terminal located on the rear of the master speaker.

The pins are marked with Tx, Rx and GND:

Tx – transmits data to the control system

Rx – receives data from the control system

GND - ground

Note! RS-232 control codes are provided at the end of this instruction manual.

Please refer to your control system instruction manual or contact TAGA Harmony dealer or installer for more information.

Connecting Power Adapter

The DC cable of the Power Adapter is ended with the Phoenix plug – insert it firmly into the POWER input terminal (BLACK color) located on the rear of the master speaker.

Placement

Please spend some time considering placement prior to installing the speakers. Once they are installed, they are not to be easily moved or repositioned. Each room has its specific acoustics but there are some general rules:

Location

TAGA Harmony speakers can be installed almost anywhere thanks to our unique sound characteristic which is strong and powerful, and has a wide dispersion field.

General notes

In-wall	In-ceiling
Placing the speakers near a corner will tend to increase their bass output, but may result in "boomy" or "muddy" sound.	Corner placement close to the walls provides a good balance of bass output and accuracy.
Placing the speakers further into the room will tend to decrease their bass output, but may result in improved articulation and clarity.	
Place the speakers at least 60 cm (2 feet) away from corners and other surfaces which may interfere or reflect sound (like tall furniture).	
To add extra bass and definition to your system we recommend TAGA Harmony Custom Installations or traditional subwoofers.	

Placement for critical listening in stereo (1 set)

In-wall	In-ceiling
Place the front left and right speakers at an equal distance from your listening position, at ear level while seated.	Place the left and right speakers at an equal distance from your listening position. Aim the speaker toward your listening position (if your speakers have this feature).
If the speakers are installed in a wall which is around 300 cm (10 feet) away from your listening position, place them no more than 300 cm (10 feet) apart from each other and no less than 150 cm (5 feet).	Place the speakers no more than 300 cm (10 feet) apart from each other and no less than 150 cm (5 feet).

Placement for entertainment listening or background music (1 or more sets in 1 room)

In-wall	In-ceiling
In rectangular smaller rooms [below 30 square meters (320 square feet)] usually 1 set should work fine. Place both speakers near opposite corners.	
In irregular or larger rooms use more than 2 sets and place the speakers evenly across the space for good sound dispersion.	Place the speakers no more than 300 cm (10 feet) apart from each other and no less than 150 cm (5 feet).
Note! When using more than 1 set in 1 room connect all sets in the Daisy-Chain connection to avoid problems with the Bluetooth® connection and operation.	

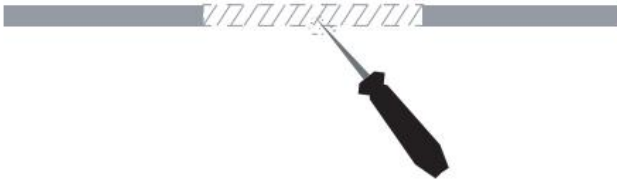
Swivel tweeter -depending on your particular primary listening area, room acoustics, ceiling height, or personal preference, you may find the sound more pleasing by pointing the tweeter in a particular direction. If additional treble is desired in the primary listening area, point the tweeter towards that area; and if less treble is required, point the tweeter away.

Push gently at the edge of the tweeter to point it in the desired direction.

Speaker Mounting

The below mounting procedure applies to drywall walls, drywall ceilings and drop ceilings or similar.

You will have to cut a hole in a wall or ceiling. With the right tools and a little extra care and preparation, installing the speaker can be both quick and easy.



Your system is supplied with a cardboard template which has the shape of a hole which has to be cut out to install each speaker.

- Make sure the Power adapter is disconnected from the electrical outlet.
- Position the template in place you wish to mount the speaker, and draw a line on the wall or ceiling along the outside edge of the template.
- Make your cuts along the line in the wall or ceiling. Try to keep the cuts neat, however the frame of the speaker will overlap the hole and hide any rough edges.
- Run all the cables to the speaker – check “Configuration and Hooking up the System”.



- Remove the speaker grill.
- With grill removed, insert the speaker into the mounting hole.
- Use a screwdriver to turn the mounting screws slowly clockwise.
- The cut edges of the wall or ceiling will be sandwiched firmly between the mounting clamps and the speaker frame.
- Repeat the whole operation for the second speaker.

Operation - Remote Controller

Plug the power cable into the electrical outlet.

The system will turn ON - the RED status LED will turn off.

The YELLOW (Line In) status LED will light up and the BLUE (Bluetooth) status LED will be flashing.

Turn the system ON and OFF

Turn OFF the system by pressing Power OFF button -the RED status LED will light up.

Turn ON the system by pressing Power ON button - the RED status LED will turn off.

The YELLOW (Line In) status LED will light up and the BLUE (Bluetooth) status LED will be flashing.

Note! When the system is in the standby mode then all LEDs are off - after a signal is detected on the LINE input or the Power ON button is pressed, the system will switch from the standby mode to the Power ON mode - The YELLOW (Line In) status LED will light up.

Bluetooth® Priority and Select the Input

Press the Bluetooth BT Priority ON button to enable the auto-switching feature – the Bluetooth input will be automatically selected when a Bluetooth device is paired.

Press the Bluetooth BT Priority OFF button to deactivate this feature – then the input has to be selected manually.

When the Bluetooth BT Priority is ON, press the BT button and the **Bluetooth®** will be paired in a few seconds and the **Bluetooth®** input will be selected.

Press the LINE button to select this input - If the LINE is selected make sure the audio source is properly connected to the rear panel LINE IN input of the master speaker - turn on your audio source and start playback. The YELLOW (LINE IN) status LED will light up.

If the YELLOW (LINE IN) status LED is not light – it means that the **Bluetooth®** input is selected.

For the **Bluetooth®** operation and pairing – check “**Bluetooth®** Connection” for more details.

Note! In the Bluetooth BT Priority mode and when a Bluetooth device is not paired, the BT button will not operate and the LINE input will be selected automatically.

Volume Regulation

You can adjust the volume level down ▼ and up ▲ by pressing the Volume buttons.

Note! Distortions and sound quality worsening may occur when the volume level is too high – when you can hear that then immediately lower the volume level otherwise it may damage the system - this may void your warranty.

Tone Regulations

Bass

You can adjust the bass level.

Press Bass - button to decrease the amount of low frequencies by -1dB.

Press Bass + button to increase the amount of low frequencies by +1dB.

Treble

You can adjust the treble level.

Press Treble - button to decrease the amount of high frequencies by -1dB.

Press Treble + button to increase the amount of high frequencies by +1dB.

Reset Tone to Factory

Press the Reset button to reset Bass and Treble to factory settings (0).

Note! Increasing the amount of bass / treble at high volume levels can damage this system. This may void your warranty.

MUTE

During playback press this button to stop audio output (no sound will be audible) – the RED status LED will be flashing slowly. Press it again to recover the audio signal output back - the RED status LED will turn off.

Note! The following functions are not active in the MUTE mode: Volume Regulation, Tone Regulation (Bass/Treble), Reset Tone to Factory.

AUTO STANDBY

Press the Auto Standby ON button to enable the standby feature – the system will be turned to the standby mode after around 15 minutes of inactivity. Press the Auto Standby OFF button to deactivate this feature.

Note! When the system is in the standby mode then all LEDs are off.

The system will switch from the standby mode to the Power ON mode:

- after a signal is detected on the LINE input or;
- after the Power ON button is pressed.

The YELLOW (Line In) status LED will indicate that the system is activated.

Confirmation of receiving the command from the remote controller

Each time any button on the remote controller is pressed and the command is properly received by the system – the RED status LED will flash once – when a button is kept pressed down the RED status LED will be flashing quickly.

Note! This does not apply to Power ON/OFF, BT, LINE and MUTE buttons.

MEMORY

When power is connected the RB-1650BT automatically turns on with the previously set volume and tone levels. Restoring power brings the speaker back to life automatically.

Bluetooth® Connection

1. After the system is switched on - the built-in **Bluetooth®** receiver is waiting to be paired with a **Bluetooth®** source. The BLUE (Bluetooth) status LED is blinking.

Note! If no device is paired within a few minutes then the BLUE (Bluetooth) status LED will turn off.

2. Select **Bluetooth®** on your audio source (smartphone, laptop etc.) and start scanning for available **Bluetooth®** devices.

After a short time "TAGA RB-1650BT" will appear on the screen of your audio source.

3. Select "Pair" on your audio source to connect with the system. After the operation is successful the BLUE (**Bluetooth®**) status LED will light continuously.

4. The RB-1650BT will now be ready to play your music wirelessly within a range of approximately 7 meters.

5. Start playback on your audio source. You can regulate the volume level directly on your audio source (up to the maximum level as set on the system).

Note! Please refer to your audio source user instruction for details on operating the **Bluetooth®**.

Operation and names of specific functions can vary on different devices.

Important Notes! **Bluetooth®** Connection



- When you move away from the working range of the RB-1650BT **Bluetooth®** receiver then the current **Bluetooth®** connection may be lost and you will have to repeat the pairing procedure.
- When you want to use another **Bluetooth®** audio source than currently active, you have to disconnect the active connection and start the **Bluetooth®** connection procedure.
- **Bluetooth®** is not always implemented properly on personal computers and it may not work properly.
- Make sure to avoid obstacles between the audio source and the system – it can worsen or interrupt the sound transmission.

Painting

The grill may be painted to match your room decoration.

When painting the grill, make sure not to plug holes with paint or repaint it after paint has dried.

Note! Before painting make sure to remove the fabric which is mounted on the inner side of the grill and fix it back after the paint has dried.

Installing the Grill

Before installing the grill run your system and check whether there are no vibrations audible from the speakers. If you hear any, it may be caused by the loose screws - tighten them up. Make sure not to place any objects between the grill and the speaker frame with mounted magnets.

Install the grill and enjoy the music!

We strongly advise to contact a professional installer or dealer in order to install TAGA Harmony products.

We recommend using high quality TAGA Harmony cables and other installation accessories.

RS-232 Control Codes

A command string is built of 95 and then the command code repeated twice e.g. Power ON send 95 and then send 11 twice.

Each part of the code should be preceded by "0x" e.g. 0x95 0x11 0x11.

RS-232 Communication Setup : Baud rate 9600 ; Stop bit 1 ; No Parity bit ; Transmission interval more than 80ms.

HEX Codes	Remote Controller
95 11 11	POWER ON
95 15 15	POWER OFF
95 05 05	MUTE
95 01 01	BLUETOOTH
95 09 09	LINE IN
95 08 08	TREBLE +
95 0D 0D	TREBLE -
95 0C 0C	BASS +
95 12 12	BASS -
95 10 10	RESET
95 07 07	VOL+
95 0B 0B	VOL-
95 02 02	BT PRIORITY ON
95 04 04	BT PRIORITY OFF
95 00 00	AUTO STANDBY ON
95 5C 5C	AUTO STANDBY OFF
95 A0 A0	Volume Step 0 minimum
95 A1 A1	Volume Step 1
95 A2 A2	Volume Step 2
95 A3 A3	Volume Step 3
95 A4 A4	Volume Step 4
95 A5 A5	Volume Step 5
95 A6 A6	Volume Step 6
95 A7 A7	Volume Step 7
95 A8 A8	Volume Step 8
95 A9 A9	Volume Step 9
95 AA AA	Volume Step 10
95 AB AB	Volume Step 11
95 AC AC	Volume Step 12
95 AD AD	Volume Step 13
95 AE AE	Volume Step 14
95 AF AF	Volume Step 15
95 B0 B0	Volume Step 16

95 B1 B1	Volume Step 17
95 B2 B2	Volume Step 18
95 B3 B3	Volume Step 19
95 B4 B4	Volume Step 20
95 B5 B5	Volume Step 21
95 B6 B6	Volume Step 22
95 B7 B7	Volume Step 23
95 B8 B8	Volume Step 24
95 B9 B9	Volume Step 25
95 BA BA	Volume Step 26
95 BB BB	Volume Step 27
95 BC BC	Volume Step 28
95 BD BD	Volume Step 29
95 BE BE	Volume Step 30
95 BF BF	Volume Step 31
95 C0 C0	Volume Step 32
95 C1 C1	Volume Step 33
95 C2 C2	Volume Step 34
95 C3 C3	Volume Step 35
95 C4 C4	Volume Step 36 maximum

RS-232 Return Codes

RS-232 Communication Setup: Baud rate 9600 ; Stop bit 1 ; No Parity bit ;
Transmission interval more than 80ms.

To request the current status of each speaker parameter, send the commands as shown in below chart.

RS-232 CODES 16 bytes	Program Name	Function	Return Code		Description
95 d0 d0	STANDBY	Speaker working status	0	1	Normal working status = 1 Off status and standby status = 0
95 d1 d1	MUTE	Mute status	0	1	Non-mute status = 0 Mute status = 1
95 d2 d2	PT2314E_SELECT	Input select	0	1	BLUETOOTH = 0 LINE = 1
95 d3 d3	PT2314E_GAIN_GET	Volume gain	0	36	In total 36 steps for Volume gain
95 d4 d4	PT2314E_B_GAIN_GET	Bass gain	0	14	In total 14 steps for Bass gain
95 d5 d5	PT2314E_T_GAIN_GET	Treble gain	0	14	In total 14 steps for Treble gain
95 d6 d6	BT_BIT	Bluetooth status	0	2	Paired = 0 Pairing = 1 BT Off = 2
95 d7 d7	BT_PRIORITY	Bluetooth Priority status	0	1	BT Priority OFF = 0 BT Priority ON = 1
95 d8 d8	AUTO_STANDBY	Auto Standby status	0	1	Auto Standby OFF = 0 Auto Standby ON = 1

Kit Content

Master Speaker	1EA
Slave Speaker	1EA
Cut-out Template	1EA
Speaker Cable	1EA
Power Adapter	1EA
Power Cord	1EA
Instruction Manual	1EA

Specifications

High-Frequency Driver	25 mm (1") TPTTD dome Swivel mount
Bass / Midrange Driver	165 mm (6.5") Kevlar®
Built-in Amplifier Power	2 x 30W RMS 110W Dynamic Peak HPCDA Class D S/N ≥ 92dB THD ≤ 0.2%
Frequency Response	38Hz - 25kHz
Sensitivity	89dB (1W / 1 m) Input Sensitivity: 400mV (RCA / 3.5 mm)

Connectivity Wired	LINE IN stereo (RCA / 3.5mm)
Connectivity Wireless	Bluetooth® v4.0
Power Requirements & Consumption	AC 100-240V 50/60Hz; 70W (external adapter 12 x 5.2 x 3.2 cm)
Dimensions (Dia x D)	23 x 9.5 cm
Minimum Mounting Depth	130 mm
Cutout Dimensions (D or H x W)	198 mm
Weight	Active: 1.3 kg / Passive 1.2 kg
Finish	WHITE, PAINTABLE (with grill on)

Bluetooth® is a registered trademark of Bluetooth SIG., Inc.

We reserve the right to change the technical data and the design of the product without notice as a result of further development.

	Your product is marked with the symbol as showed on the left. For EU (European Union) member users: This product has been tested and found in compliance with requirements of the European Community 2014/30/EU (EMC) & 2014/53/EU (RED) & 2014/35/EU (LVD) directives.
---	--

	IMPORTANT! Your product is marked with the symbol as showed on the left. For EU (European Union) member users: According to the WEEE (Waste electrical and electronic equipment) Directive, do not dispose of this product as household waste or commercial waste. Waste electrical and electronic equipment should be appropriately collected and recycled as required by practices established for your country. For information on recycling of this product, please contact your local authorities, your household waste disposal service or the shop where you purchased the product.
---	---

TAGA EUROPE
POLPAK POLAND Sp. z o.o.
AL.JEROZOLIMSKIE 333A
05-816 REGULY k/WARSZAWY, POLAND
Email: Sales@TagaHarmony.com

www.TagaHarmony.com